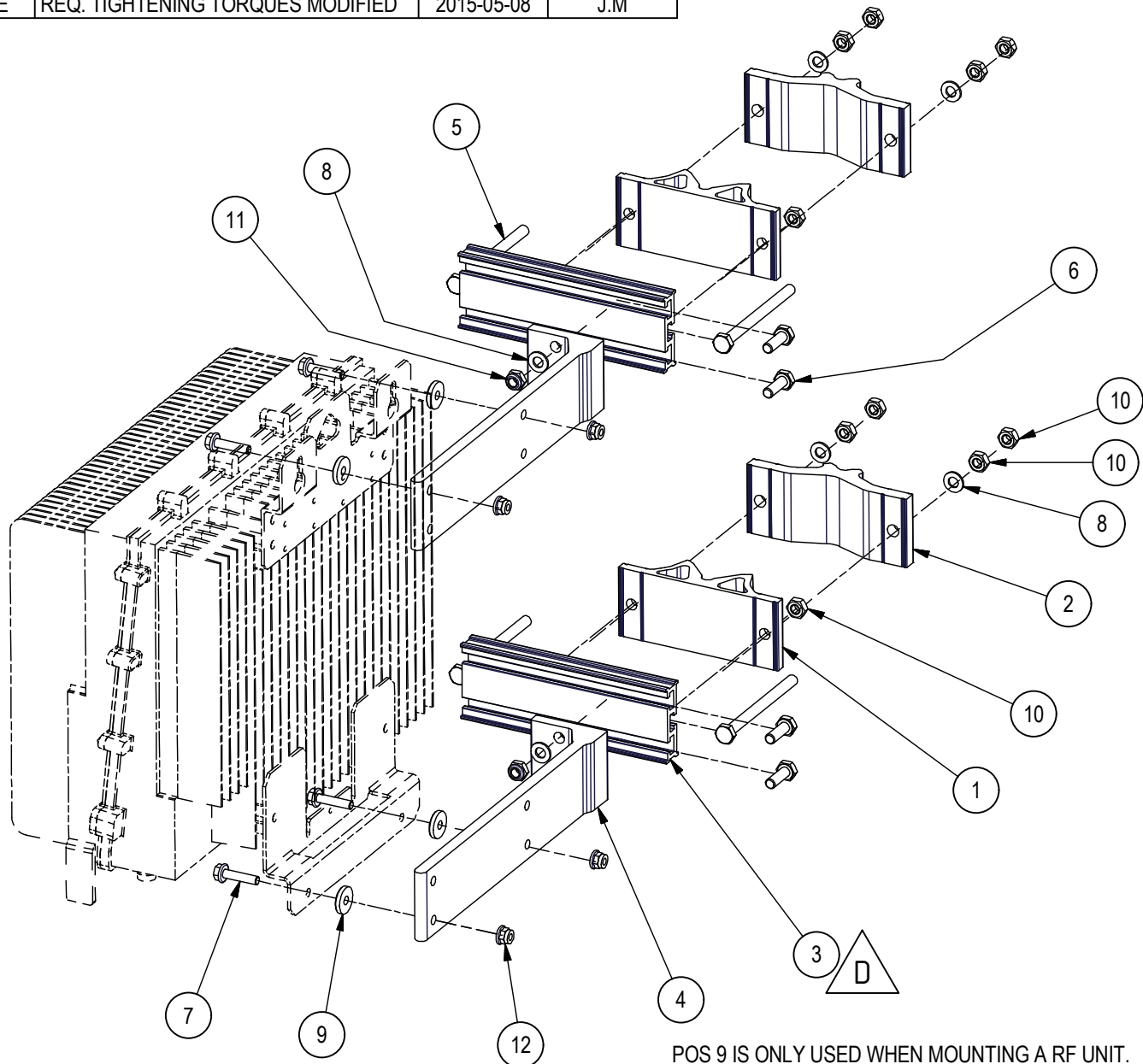


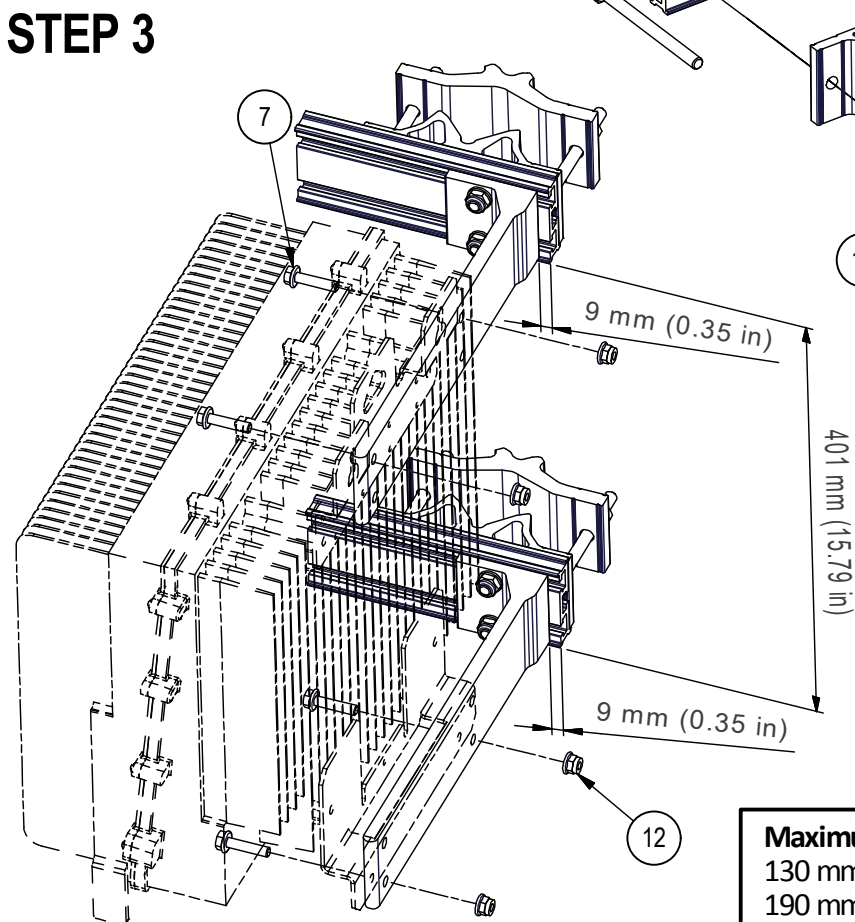
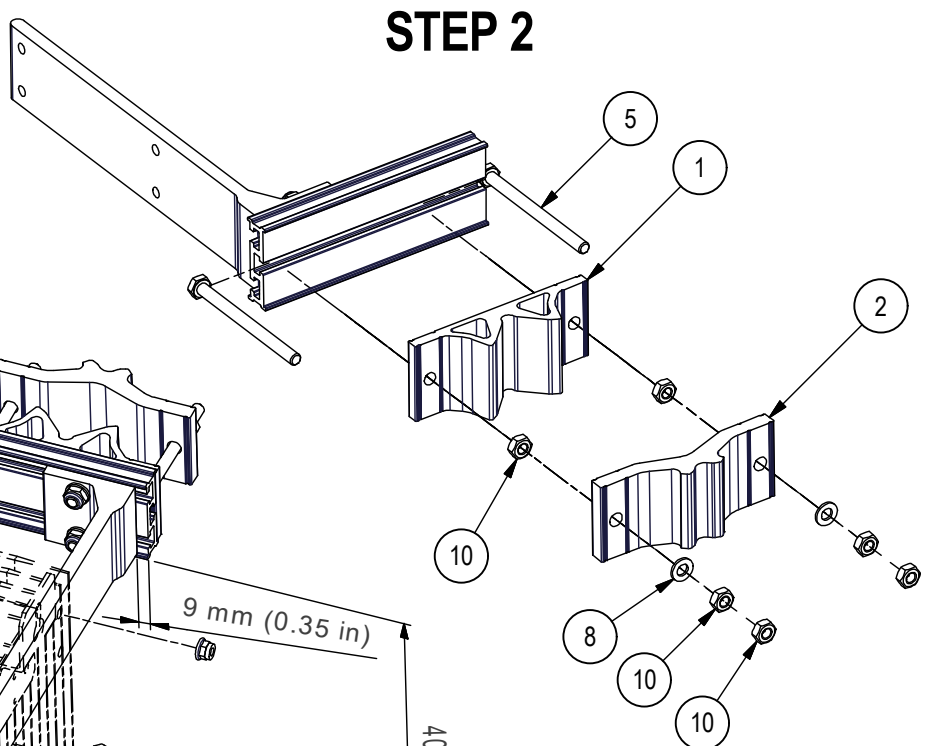
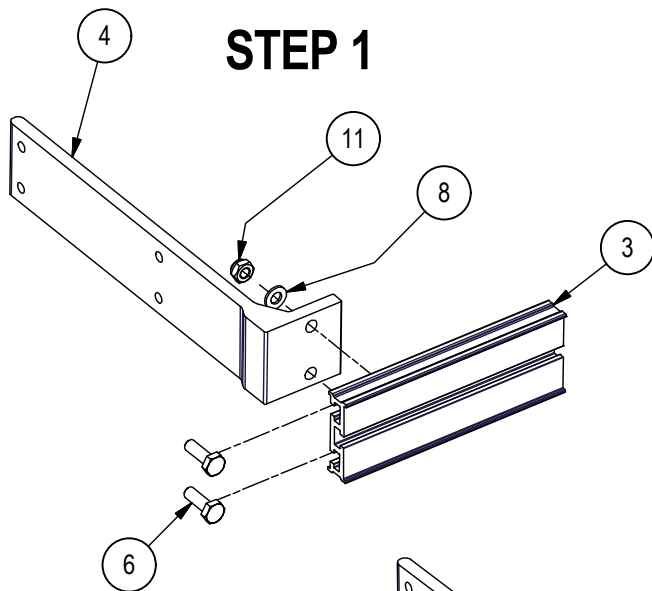
REV	DESCRIPTION	DATE	APPROVED
D	POSITION 3 CHANGED	2014-07-09	S.M
E	REQ. TIGHTENING TORQUES MODIFIED	2015-05-08	J.M



POS 9 IS ONLY USED WHEN MOUNTING A RF UNIT.

ITEM	QTY	ART. NO	PART NUMBER	REV	DESCRIPTION	STANDARD
12	4	6352	LM6MF M8 A4		HEXAGON FLANGE LOCK NUT	DIN 6926
11	4	1405	LM M10 A4		LOCK NUT	DIN 985
10	12	1395	M6M M10 A4		NUT	DIN 934
9	4	6353	TBR SB M8 A4		WASHER	SMS 1466
8	8	1308	BRB M10 A4		WASHER	DIN 125 A
7	4	6354	M6SF M8x35H A4		HEXAGON FLANGE BOLT	DIN 6921
6	4	2243	M6S M10x30H A4		HEX HEAD BOLT	DIN 933
5	4	5062	M6S M10x130H A4		HEX HEAD BOLT	DIN 933
4	2	6300	CD 990770-01		SUPPORT ARM	
3	2	6790	CD 990580-L216		Beam	
2	2	5385	CD 990584-M10		CLAMP PROFILE, BACK	
1	2	5384	CD 990583-M10		CLAMP PROFILE, FRONT	

ITEM	QTY	ART. NO	PART NUMBER	REV	DESCRIPTION	STANDARD
COPYRIGHT - CUE DEE ALL RIGHTS RESERVED			REQ. TIGHTENING TORQUES (Nm)		DATE	NAME
INFORMATION IN THIS DOCUMENT IS THE EXCLUSIVE PROPERTY OF CUE DEE. REPRODUCTION IN PART OR AS A WHOLE WITHOUT THE WRITTEN PERMISSION OF CUE DEE IS PROHIBITED	THREAD SIZE	PROPERTY CLASSES		DRAWN	2013-12-09	J.M
	M8	26	17	CHECKED	2013-12-18	J-O H
	M10	50	33	STATUS	Released	
	M12	87	57	COMMENTS:		
	M16	211	140	<div style="display: flex; justify-content: space-between;"> <div> <p>Phone: +46 934 153 10 Fax: +46 934 150 72 E-mail: info@cuedee.se</p> </div> <div style="text-align: center;"> </div> <div> <p>Sivå 58 SE-915 93 Robertslors SWEDEN www.cuedee.se</p> </div> </div>		
	M20	412	273			
	M24	712	472			
	M27	1028	682			
	M30	1402	930			
	SIZE A4			TITLE		SPRINT RRU MOUNTING BRACKET CS72800.01
			DWG. NO.		ART. NO.	REV
			CD 990770		6140	E
			SCALE: 1 : 6		WEIGHT: 5,86 kg (12.3 lb)	SHEET 1 OF 2
FILE NAME: C:\Vault\Designs\Produktblad\CD 990770 Produktblad\CD 990770.idw						



Maximum tube diameter	
130 mm bolts (included)	80 mm (3.15 in)
190 mm bolts (not included)	120 mm (4.72 in)

COPYRIGHT - CUE DEE ALL RIGHTS RESERVED INFORMATION IN THIS DOCUMENT IS THE EXCLUSIVE PROPERTY OF CUE DEE. REPRODUCTION IN PART OR AS A WHOLE WITHOUT THE WRITTEN PERMISSION OF CUE DEE IS PROHIBITED	REQ. TIGHTENING TORQUES (Nm)		DRAWN 2013-12-09 J.M	DATE 2013-12-18 J-O H	NAME J.M	Phone: +46 934 153 10 Fax: +46 934 150 72 E-mail: info@cuedee.se		Siveå 58 SE-915 93 Robertsfors SWEDEN www.cuedee.se
	THREAD SIZE M8 M10 M12 M16 M20 M24 M27 M30	PROPERTY CLASSES 8.8 26 50 87 211 412 712 1028 1402						
SIZE A4		COMMENTS: Released		TITLE SPRINT RRU MOUNTING BRACKET CS72800.01		DWG. NO. CD 990770	ART. NO. 6140	REV E
SCALE: 1 : 6		WEIGHT: 5,86 kg (12.3 lb)		SHEET 2 OF 2		FILE NAME: C:\Vault\Designs\Produktblad\CD 990770 Produktblad\CD 990770.idw		