

General Notes

Standards:

EN 1090-3: Technical requirements for aluminium structures

Execution Class:

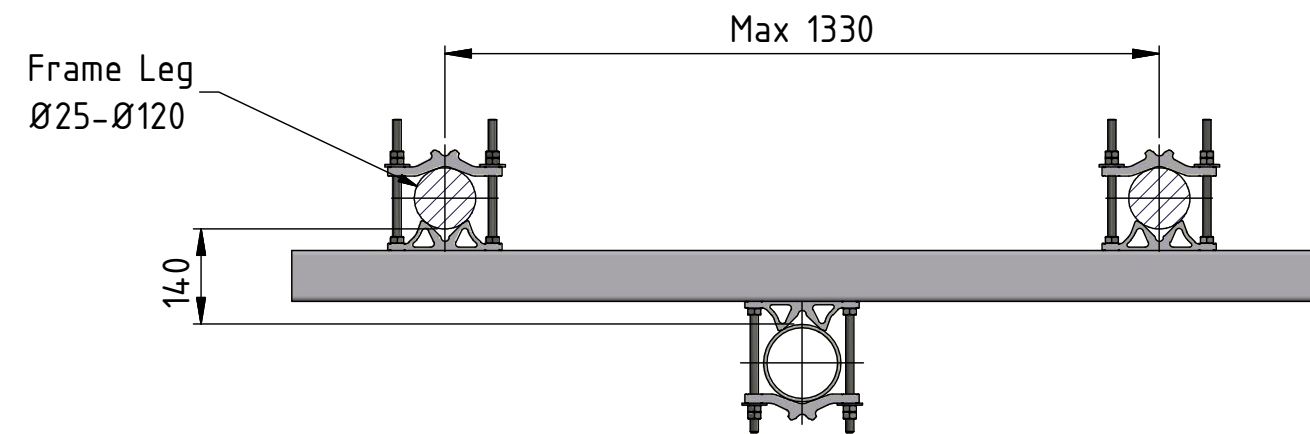
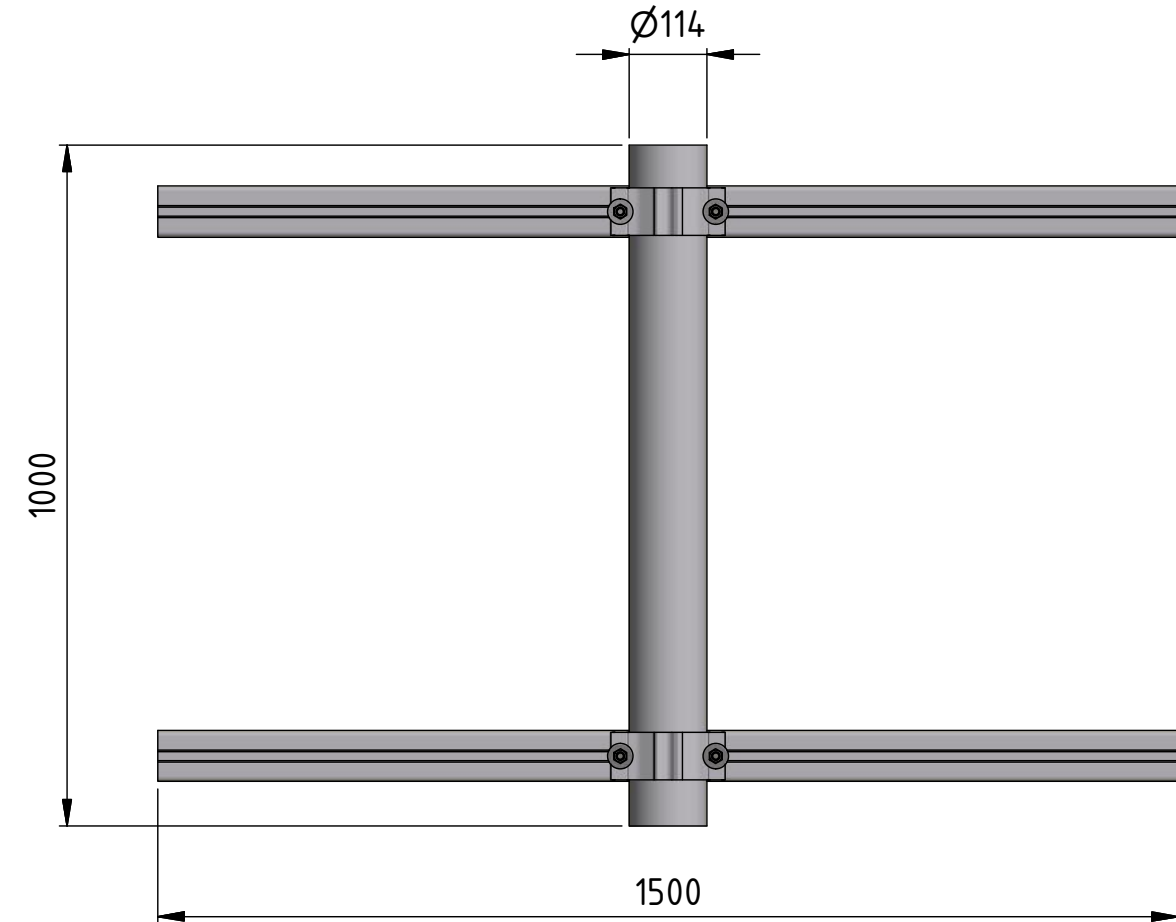
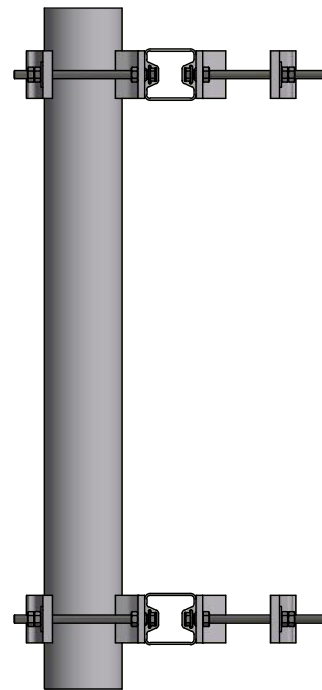
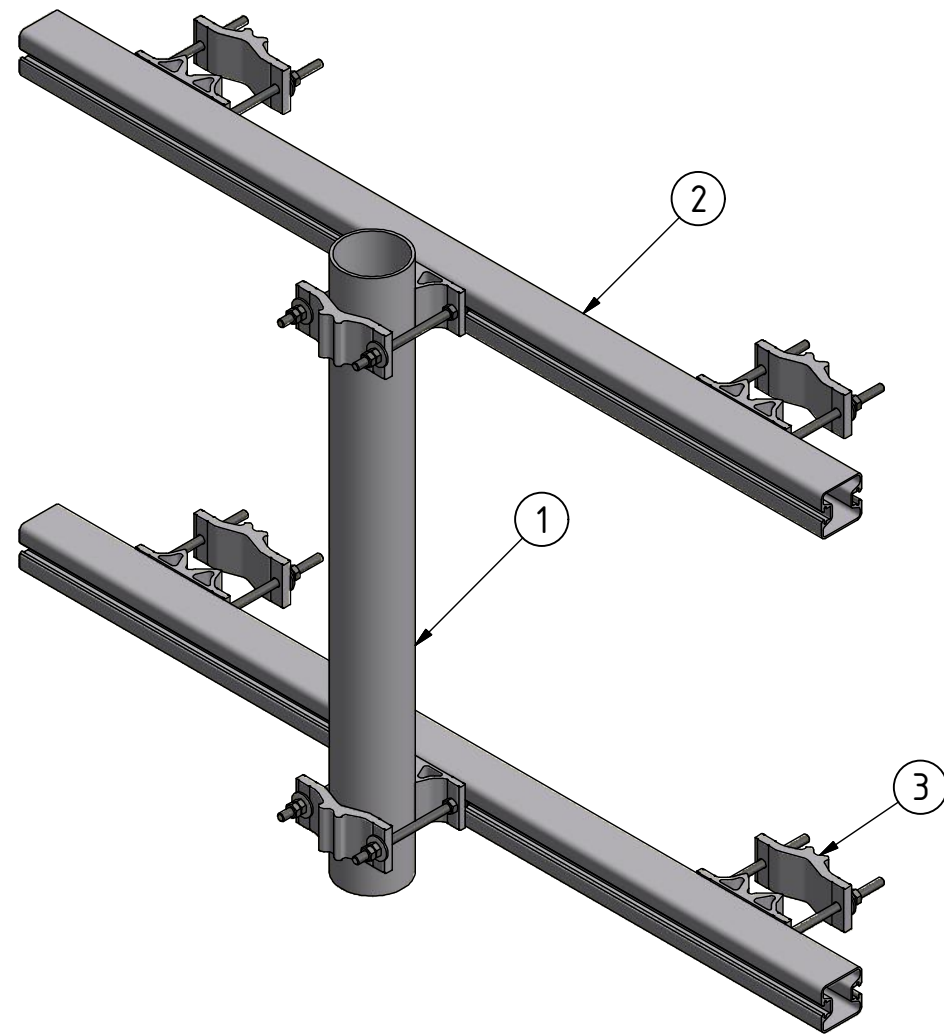
EXC1

Material:

Profiles: Aluminium, anodized 20µm

Fasteners: Stainless Steel A4

Torque Table [Nm]		
Thread Size	A4-70	A4-80
M12	57	-



Revision History				
Rev	Description	Date	Drawn	Checked
A	Revised drawing	2015-02-02	S.M	P.P
B	New clamp model	2017-08-17	P.P	J-O.H

Item	Qty	Art. No	Part Number	Description/Material	Comments
3	3	5797	CD 990645	SMALL CLAMP, TUBES Ø25-120	
2	2	2011	CD 840015	ALUBRA 75-2 L=1500	
1	1	5732	CD 711410	TUBE Ø114x5 L=1000	

Phone: +46 934 153 10
 Fax: +46 934 150 72
 E-mail: info@cuedee.se

CUE DEE SE-915 93 Robertsfors, SWEDEN www.cuedee.se

© - CUE DEE All Rights Reserved
 Information in this document is the exclusive property of CUE DEE. Reproduction in part or as a whole without the written permission of CUE DEE is prohibited

Drawn	2001-11-21	M.T	Title 2-L Link Support Project < 2.6m MWA
Checked	2008-11-26	M.L	
Status	Released		Dwg. No.
Size	A3		Art. No. CD 841561 1913
Scale: 1 : 10		Weight: 23,8 kg	Revision B
File Name: D:\Vault\Designs\Antennfäste\Länkfäste\CD 841561.idw			Sheet 1 of 1