

General Notes

Profiles:

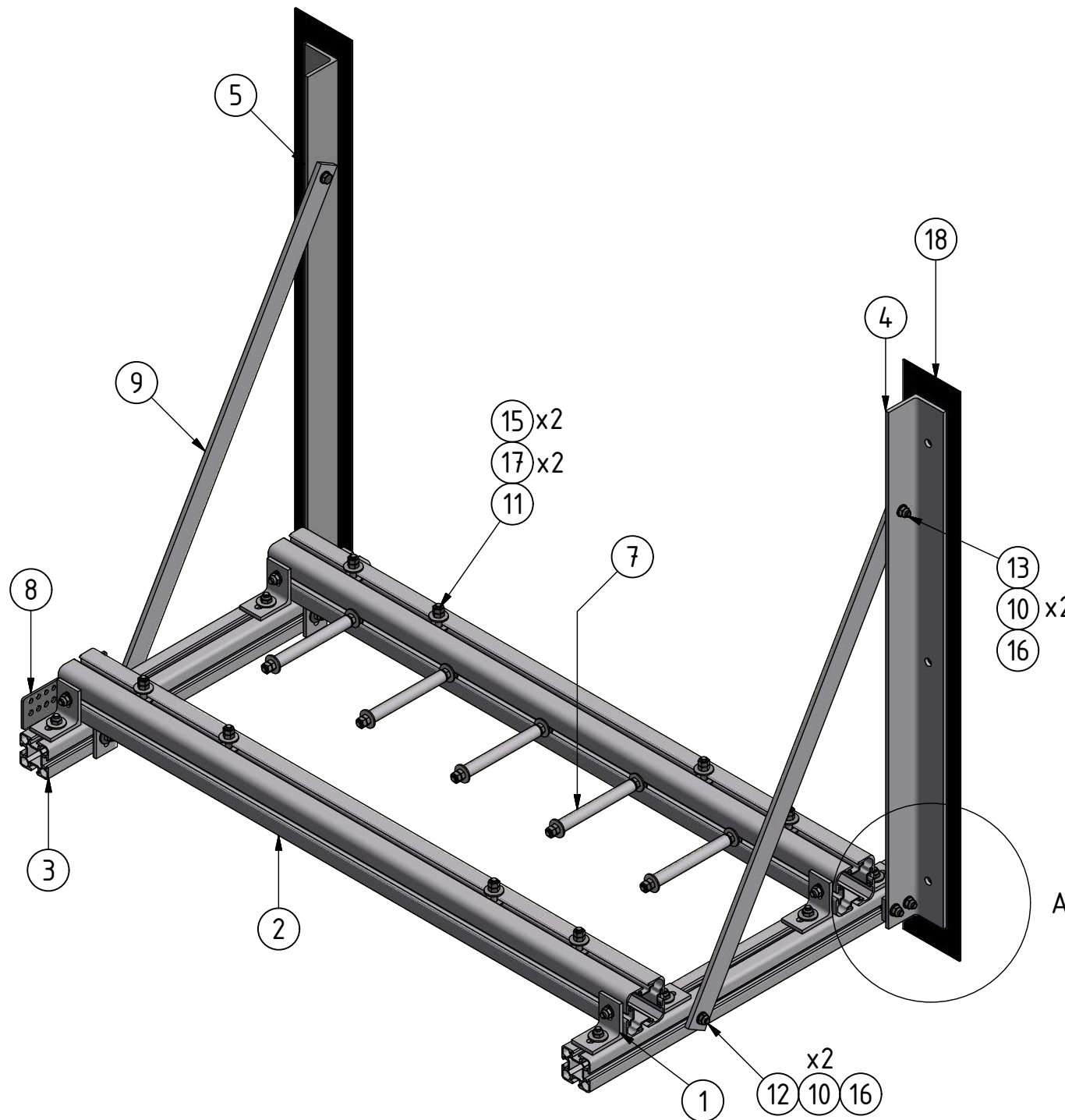
Aluminum Anodized 20 µm

Fasteners:

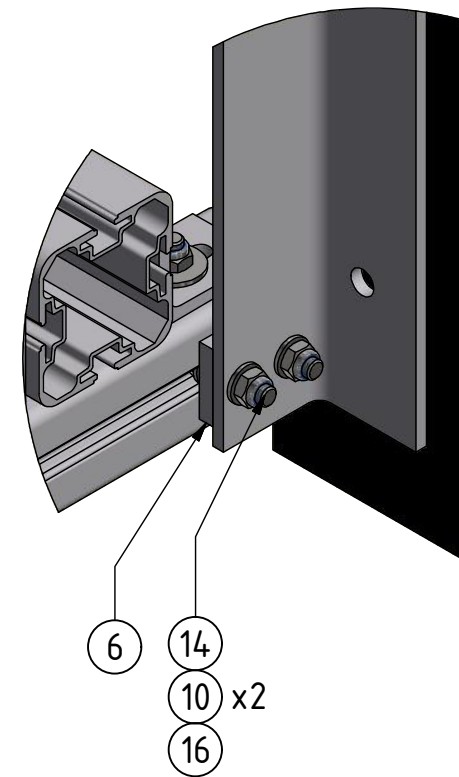
Bolts: Stainless Steel Grade 70 & 80 according to EN ISO 3506-1

Nuts: Stainless Steel Grade 80 according to EN ISO 3506-2

Torque Table [Nm]		
Thread Size	A4-70	A4-80
M12	57	76



A (1 : 4)



Item	Qty	Art. No	Part Number	Description/Material	Comments
18	2	1762	EPDM rubber	LENGTHxWIDTH 1300x150 mm	
17	16	1318	DIN 9021-13 A4	Large Diameter Washer	
16	8	1406	DIN 985-M12 A4-80	Nylon Insert Lock Nut	
15	16	1396	DIN 934-M12x1,75 A4-80	Hex Nut	
14	4	1914	DIN 933-M12x45 A4-80	Hex-Head Bolt	
13	2	1335	DIN 933-M12x40 A4-80	Hex-Head Bolt	
12	2	1334	DIN 933-M12x35 A4-80	Hex-Head Bolt	
11	8	1336	DIN 931-M12x50 A4-80	Hex-Head Bolt	
10	16	1309	DIN 125-A 13 A4	Washer	
9	2	5493	CD 990427-010	STAY 50x10 L=1092mm	
8	1	3917	CD 990409-021	Grounding Busbar Assy	
7	5	3859	CD 990409-003	Cable Support	
6	2	5494	CD 990374-009	PLATE 50x80x10 2xØ13	
5	1	3966	CD 990374-001 V	ANGLE	
4	1	3301	CD 990374-001 H	ANGLE	
3	2	6273	CD 8700085	ALUBRA 75-4 L=850	
2	2	5749	CD 810015	ALUBRA 100-4 L=1500 mm	
1	12	3965	CD 885535	Fixing Angle	

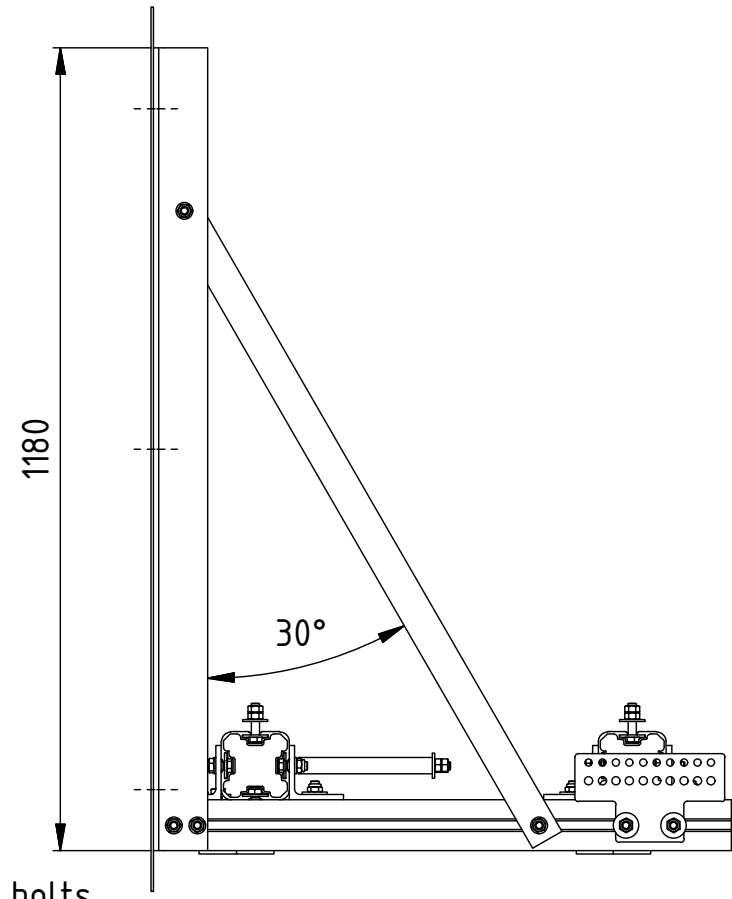
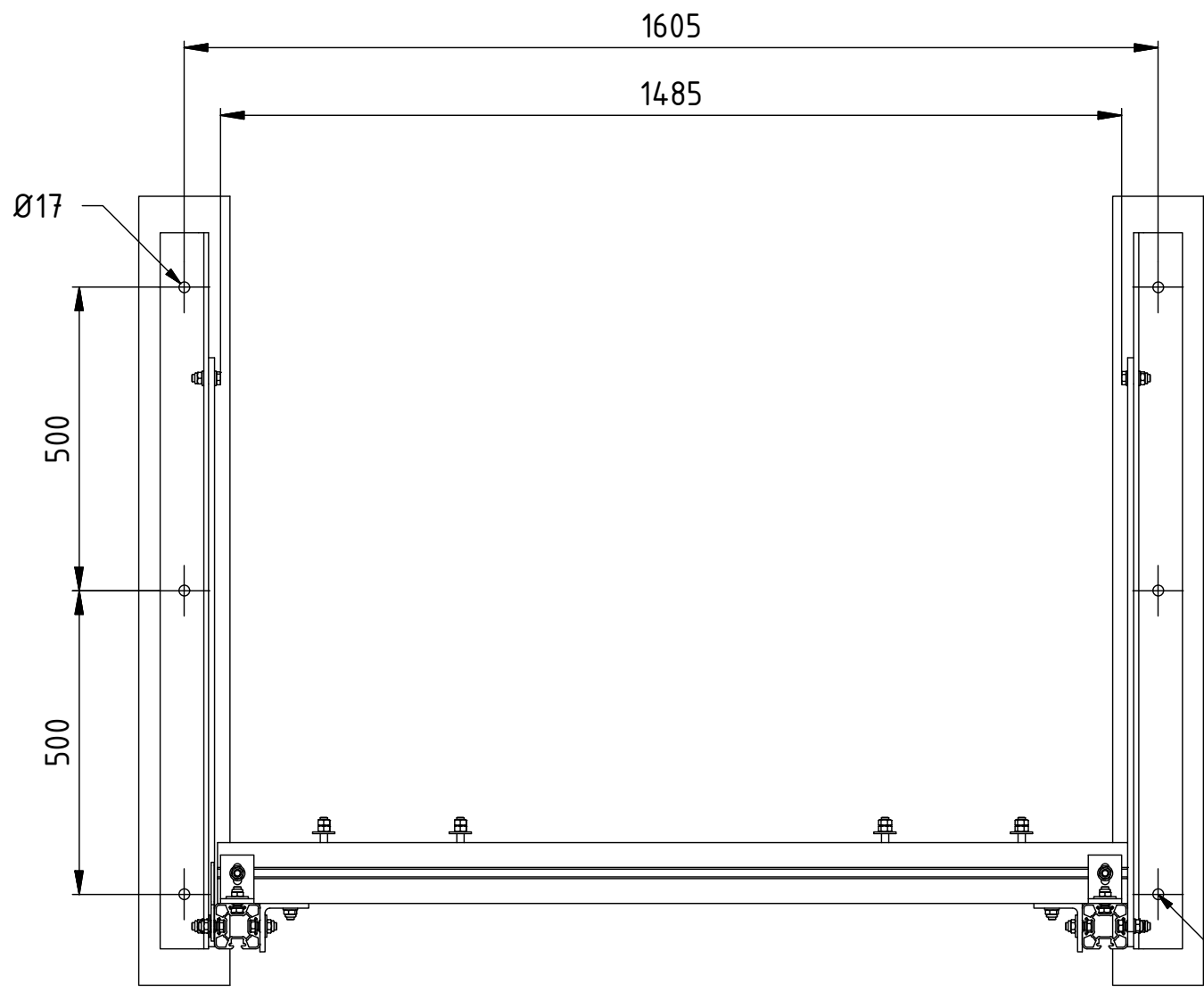
Phone: +46 934 153 10
 Fax: +46 934 150 72
 E-mail: info@cuedee.se

CUE DEE SE-915 93 Robertsfors, SWEDEN www.cuedee.se

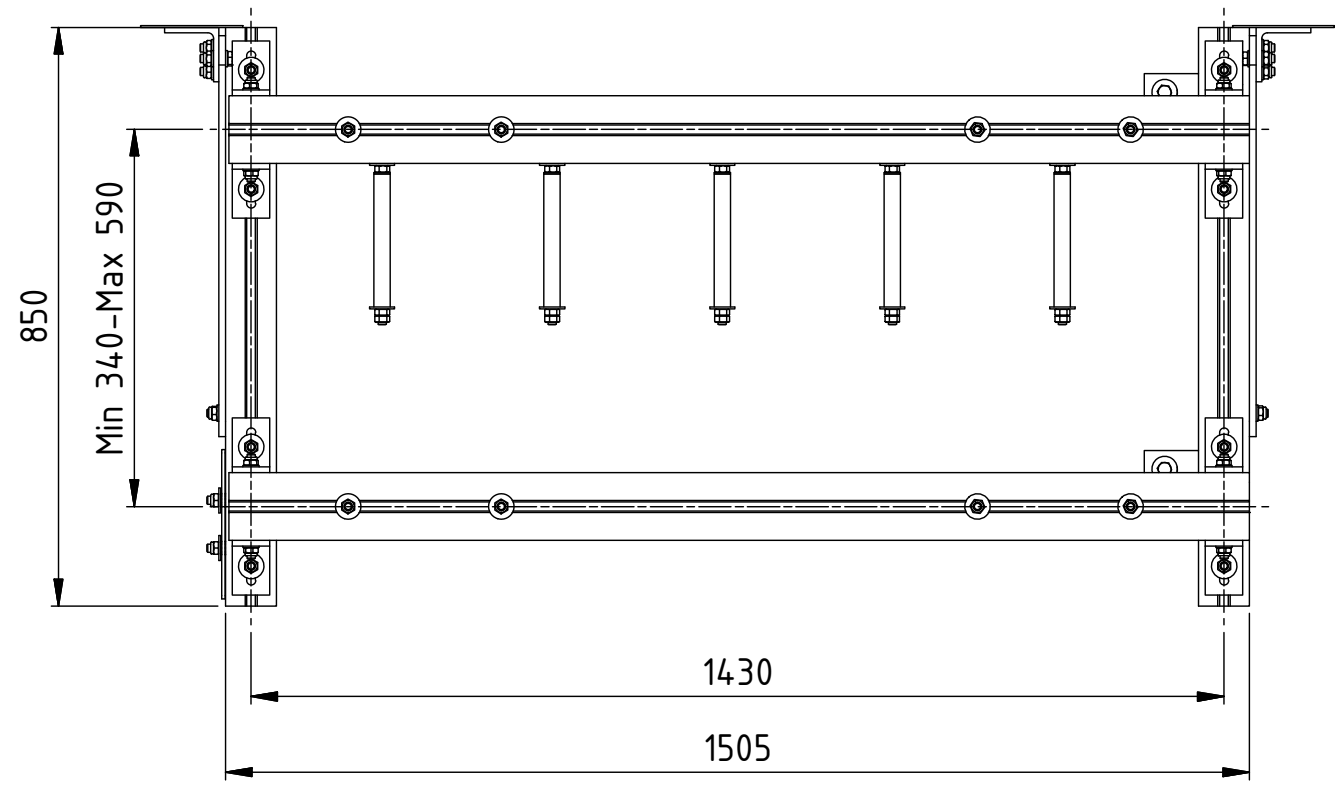
© - CUE DEE All Rights Reserved
 Information in this document is the exclusive property of CUE DEE. Reproduction in part or as a whole without the written permission of CUE DEE is prohibited.

Drawn	2010-05-25	M.T	Date	Name	Title
Checked	2010-05-25	F.M	RBS WALL SUPPORT		
Status	Released		Project Typical for Ericsson RBS 6102		
Size	A3	Dwg. No.	CD 990427-1500	Art. No.	4720
Scale	1 : 10	Weight	43,5 kg	Revision	C
File Name	C:\Vault\Designs\Antennfäste\Stativ\CD 990427-1500.idw				

Sheet 1 of 2

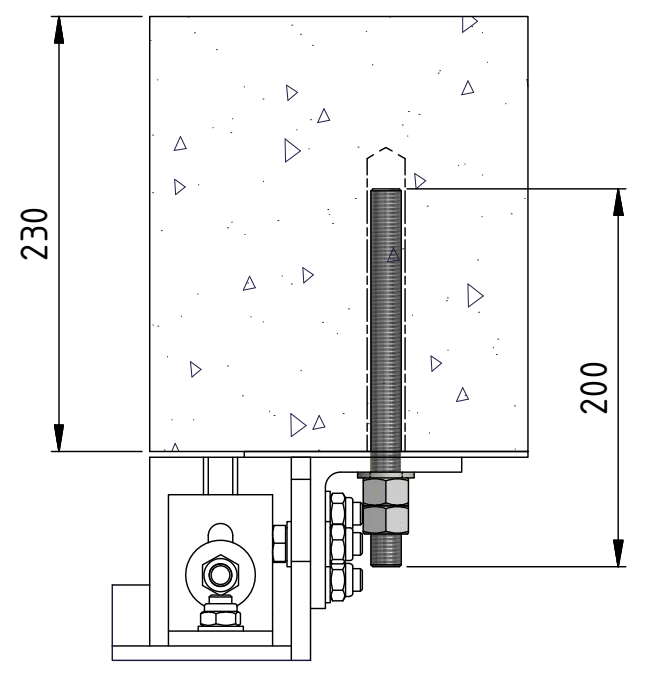


Note!
Wall attachment bolts
not included



Mounting recommendation
Wall thickness: Min 230mm
6 Pcs DIN 976- M16x200 A4-70
with washer and double nuts.

6 Pcs Hilti HIT-HY 200 Injectable mortar
Nominal diameter of drill bit: Ø18
Typical embedment depth: 145mm
Torque moment: 80 Nm



Phone: +46 934 153 10 Fax: +46 934 150 72 E-mail: info@cuedee.se	CUE DEE SE-915 93 Robertsfors, SWEDEN www.cuedee.se	Sikeå 58	Date	Name	Title
			2010-05-25	M.T	RBS WALL SUPPORT
			2010-05-25	F.M	Typical for Ericsson RBS 6102
			Released		Dwg. No.
			A3		CD 990427-1500
			Scale: 1 : 10	Weight: 43,5 kg	Art. No. 4720
			File Name: C:\Vault\Designs\Antennfäste\Stativ\CD 990427-1500.idw		Revision C
© - CUE DEE All Rights Reserved Information in this document is the exclusive property of CUE DEE. Reproduction in part or as a whole without the written permission of CUE DEE is prohibited					Sheet 2 of 2