

General Notes

Standards:

EN 1090-3: Technical requirements for aluminium structures

Execution Class:

EXC1

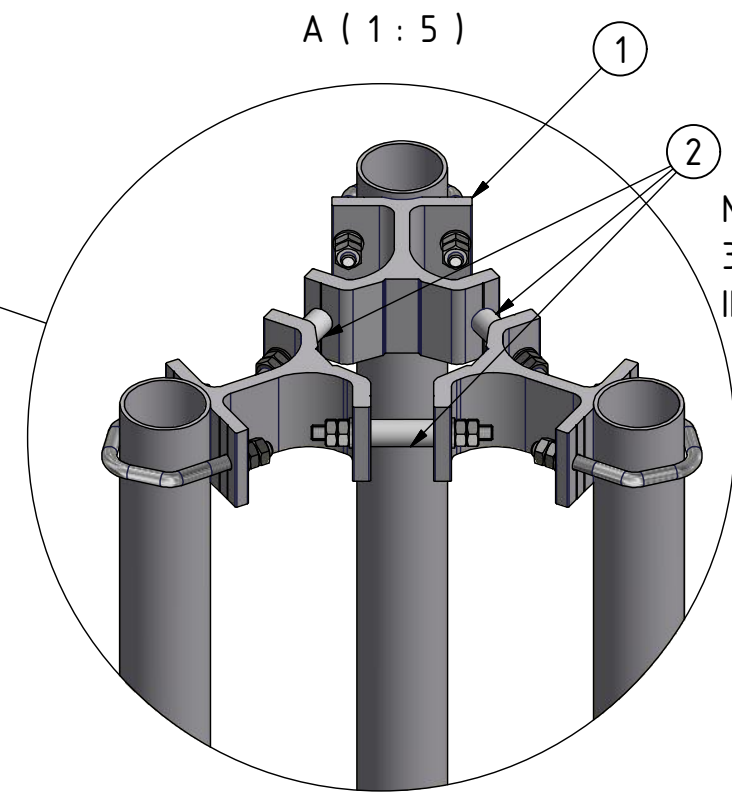
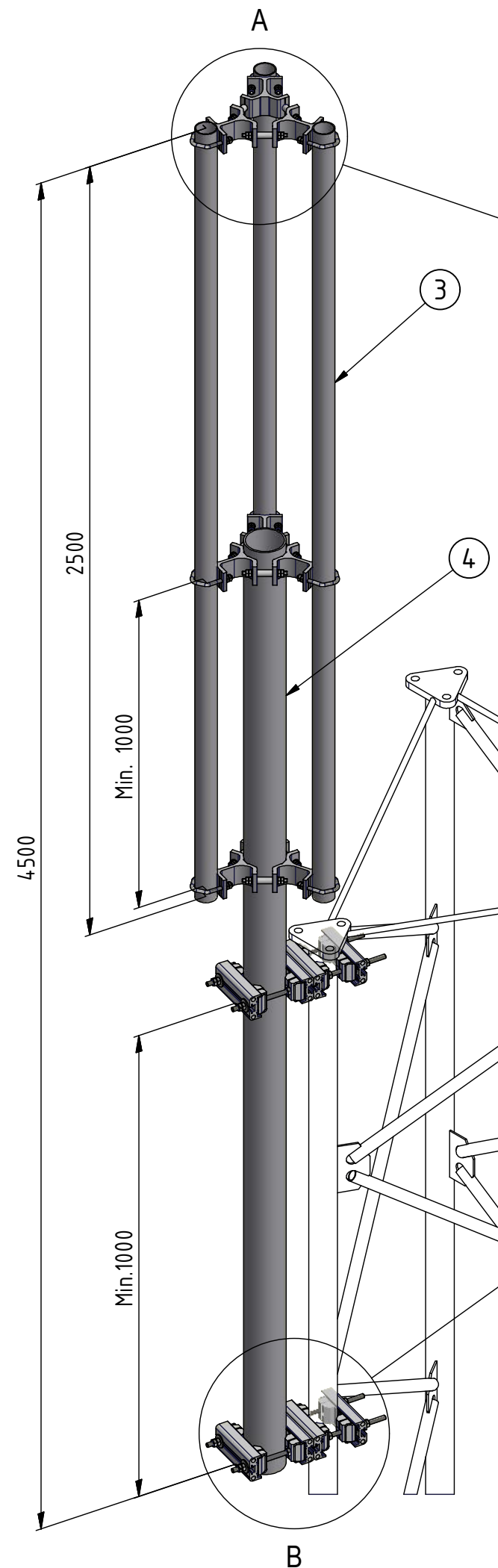
Material:

Profiles: Aluminium, anodized 20µm

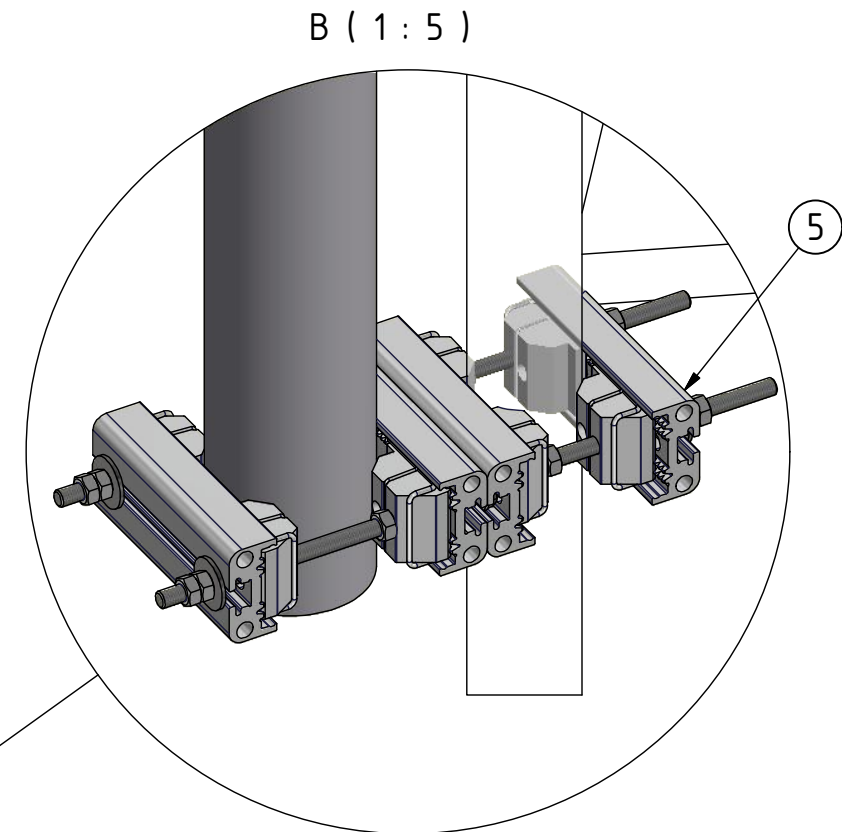
Fasteners: Stainless Steel A4

Torque Table [Nm]	
Thread Size	A4-70
M10	33
M12	57

Revision History				
Rev	Description	Date	Drawn	Checked
A	Revised drawing	2016-02-19	S.M	J.V



NOTE!
3 PIECES SPACERS
IN UPPER BRACKET



Item	Qty	Art. No	Part Number	Description/Material	Comments
5	2	1869	CD 8760	Cuedee Clamp Back/Back	
4	1	1959	CD 711430	TUBE Ø114x5 L=3000	
3	3	1967	CD 706025	TUBE Ø60x3 L=2500	
2	1	1861	CD 189160-01	Spacer Ø18x2.5 L=42 mm	
1	1.5 Set	1627	CD 189160	TRIPLE SPLIT SUPPORT	

Phone: +46 934 153 10
 Fax: +46 934 150 72
 E-mail: info@cuedee.se

CUE DEE SE-915 93 Robertsfors SWEDEN www.cuedee.se

© - CUE DEE All Rights Reserved
 Information in this document is the exclusive property of CUE DEE. Reproduction in part or as a whole without the written permission of CUE DEE is prohibited

Drawn	2010-11-26	A.K	Date	Name	Title
Checked	2010-11-26	J.O	Top Spire 1-L		
Status	Released		Project		
Size	A3		Tripple antenna support		
Dwg. No.		CD 990533	Art. No.	5070	Revision
Scale: 1:15		Weight: 44,4 kg	Sheet 1 of 1		

File Name: D:\Vault\Designs\Antennfäste\Toppspira\CD990533.idw