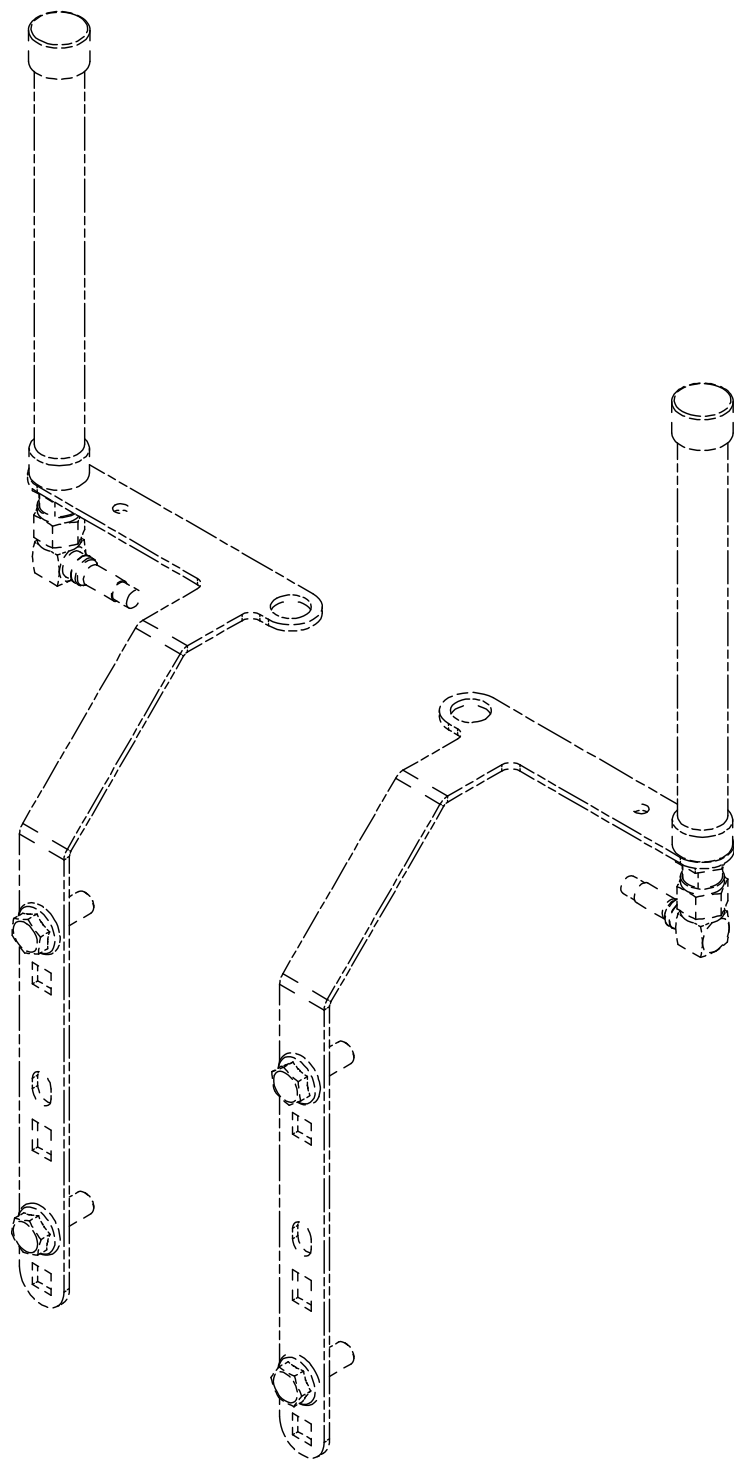
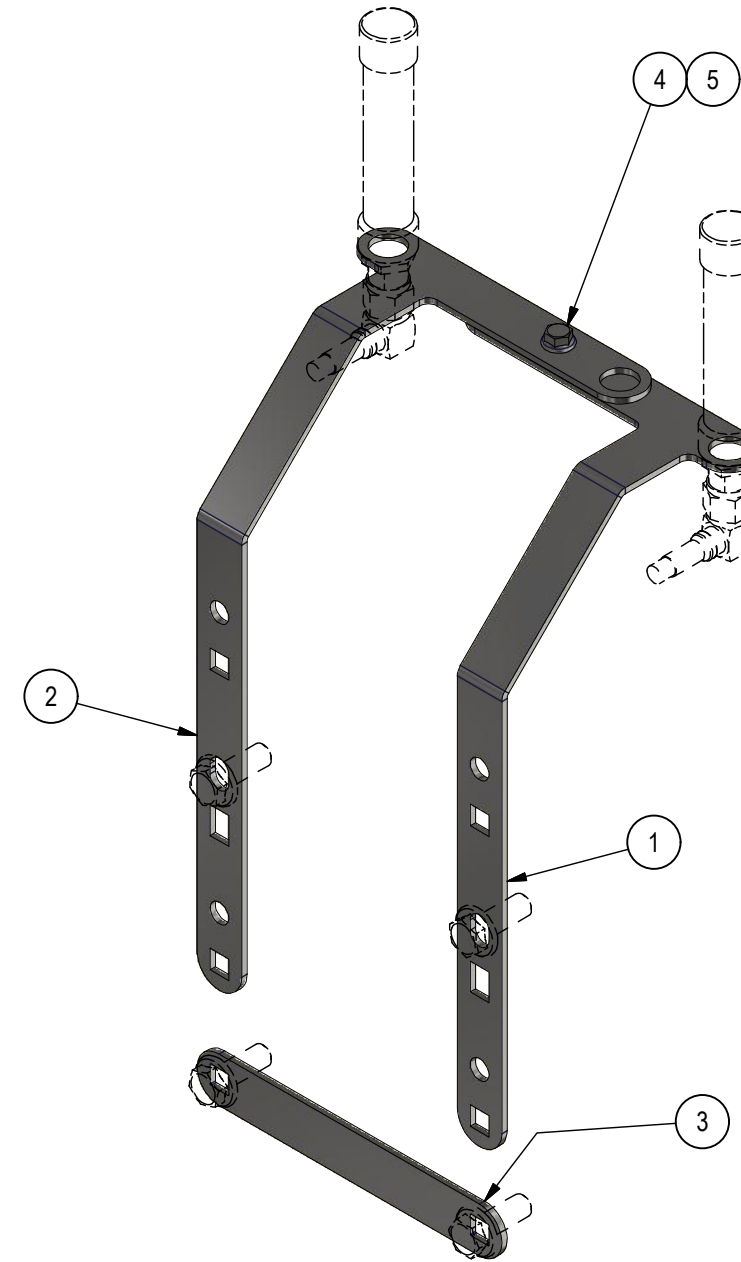


REVISION HISTORY				
ZONE	REV	DESCRIPTION	DATE	APPROVED
	C	RE-DESIGNED	2013-04-24	J-O H
	D	Redesigned to fit mRBS	2013-05-16	J-O H
	E	NAME CHANGE, RELEASED	2013-06-04	J-O H
	F	NEW REVISION OF POS 1-3	2013-06-27	J-O H
	G	NEW REVISION OF POS 1-2	2013-08-26	J-O H
	H	NEW REVISION OF POS 1-2	2013-10-22	J-O H

## HORIZONTAL MOUNTING POSITION



## VERTICAL MOUNTING POSITION



ANTENNAS AND M10 SCREWS ARE NOT INCLUDED IN THE DELIVERY PACKAGE.  
POS 3, 4 AND 5 ARE ONLY USED FOR VERTICAL MOUNTING POSITION.

ITEM	QTY	ART. NO	PART NUMBER	REV	DESCRIPTION	STANDARD
5	1	1408	LM M6 A4		LOCK NUT	DIN 985
4	1	6192	M6SF M6x16 A4		HEXAGON FLANGE BOLT	DIN 6921
3	1	6191	CD 990706-04	B	mUNIT OMNI DISTANCE	
2	1	6134	CD 990706-02	G	mUNIT OMNI HOLDER /2	
1	1	6133	CD 990706-01	G	mUNIT OMNI HOLDER /1	

COPYRIGHT - CUE DEE ALL RIGHTS RESERVED		REQ. TIGHTENING TORQUES (Nm)		DATE	NAME	Phone: +46 934 153 10 Fax: +46 934 150 72 E-mail: info@cuedee.se
INFORMATION IN THIS DOCUMENT IS THE EXCLUSIVE PROPERTY OF CUE DEE. REPRODUCTION IN PART OR AS A WHOLE WITHOUT THE WRITTEN PERMISSION OF CUE DEE IS PROHIBITED	THREAD SIZE	PROPERTY CLASSES		DRAWN	2013-04-03	J.M
	M8	8.8	A4	CHECKED	2013-06-04	J-O H
	M10	26	22	STATUS	Released	
	M12	50	44	COMMENTS:		
	M16	87	76			
	M20	211	187			
	M24	412	364			
M27	712	629				
M30	1028	909				
M30	1402	1240				

**CUE DEE** Box 10 SE-915 21 Robertsfors SWEDEN www.cuedee.se

TITLE: **mUNIT OMNI SUPPORT**

DWG. NO: **CD 990706** ART. NO: **6129** REV: **H**

SCALE: 1 : 3 WEIGHT: 0,66 kg SHEET 1 OF 1

FILE NAME: C:\Vault\Designs\Project\Ericsson\Omni\CD 990706.idw