

General Notes

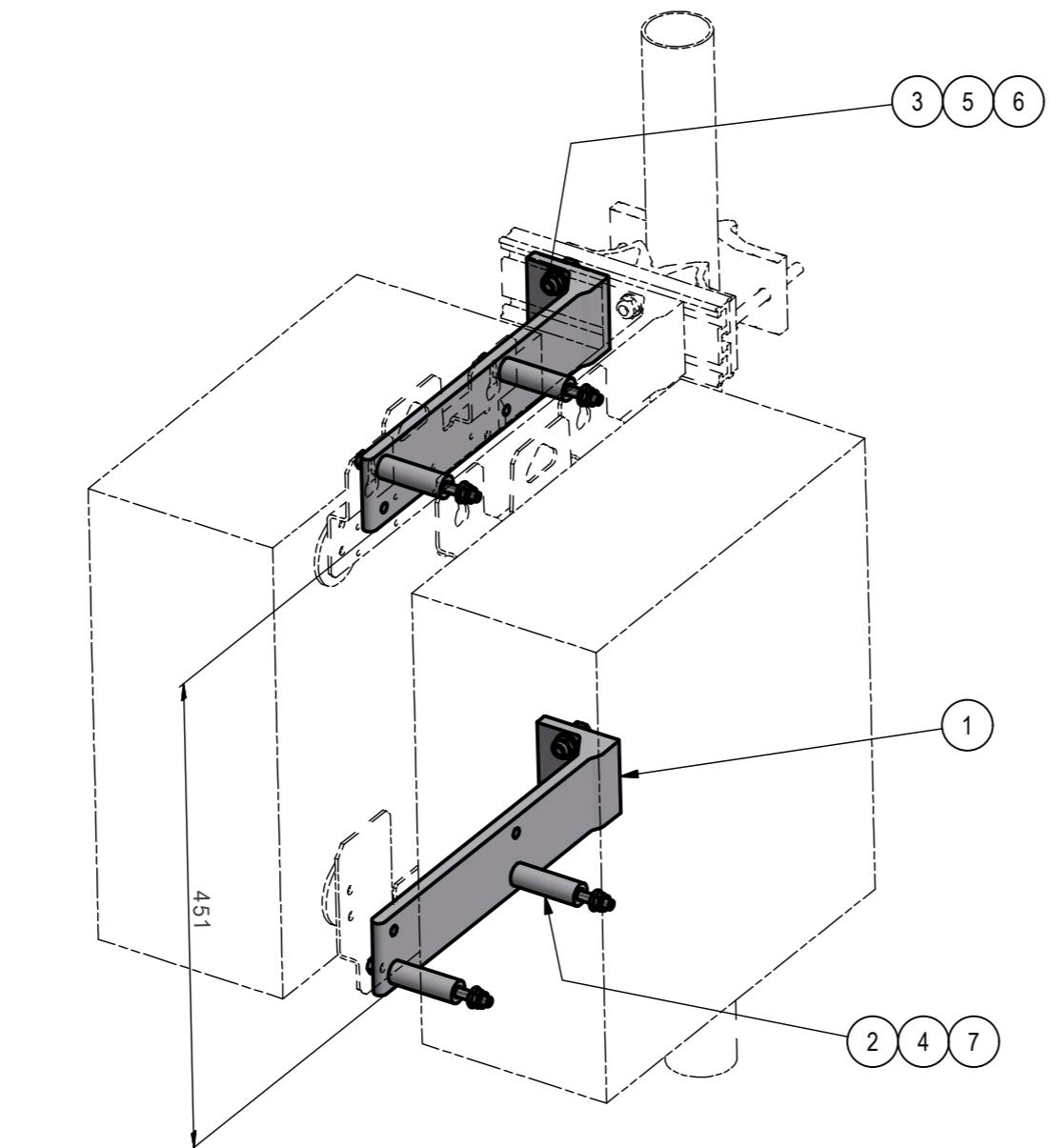
Standards:
EN 1090-3: Technical requirements for aluminium structures

Execution Class:
EXC1

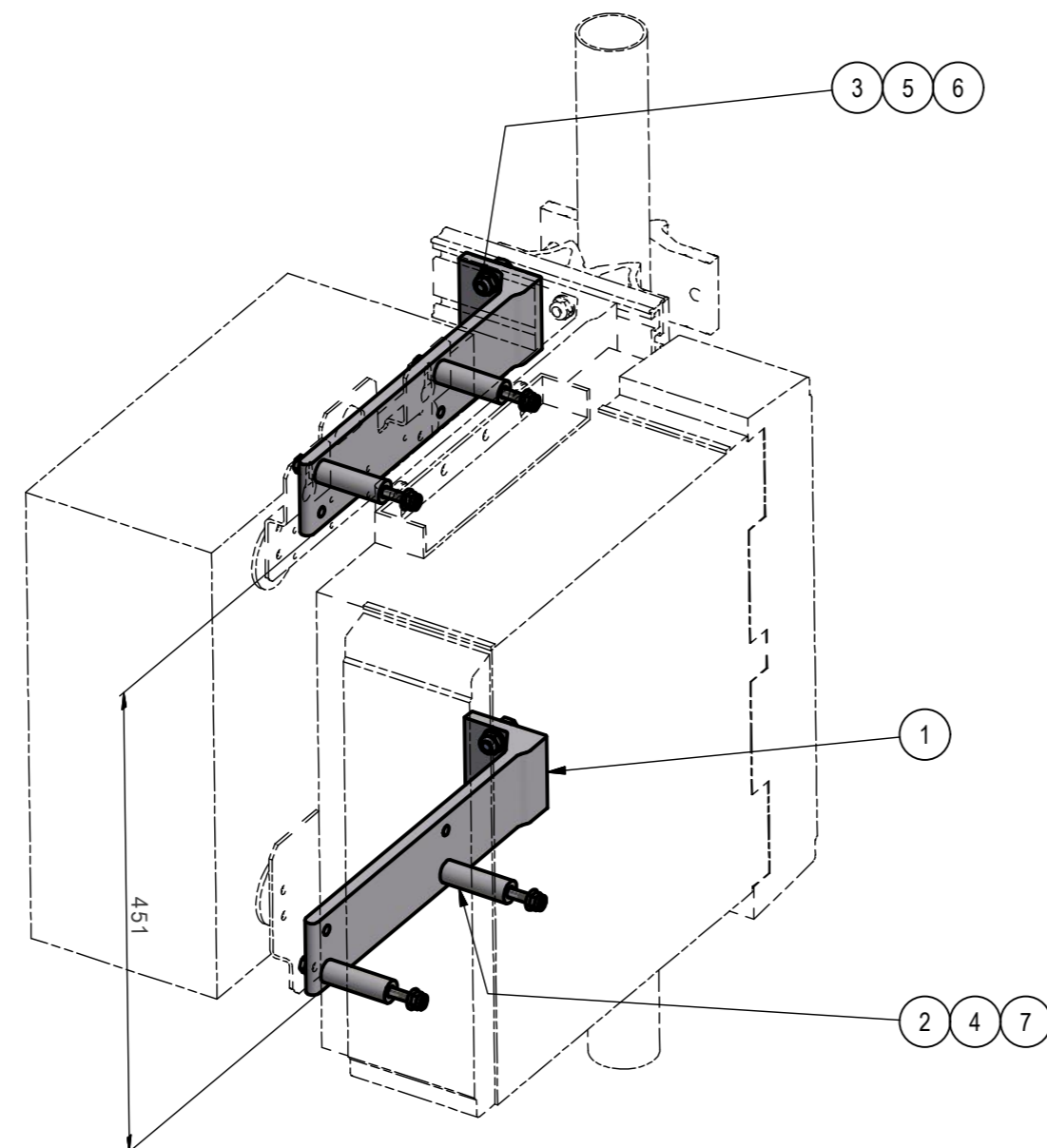
Material:
Profiles: Anodized Aluminium 20µm
Fasteners: Stainless Steel A4

Torque Table [Nm]	
Thread Size	A4-70
M8	17
M10	33

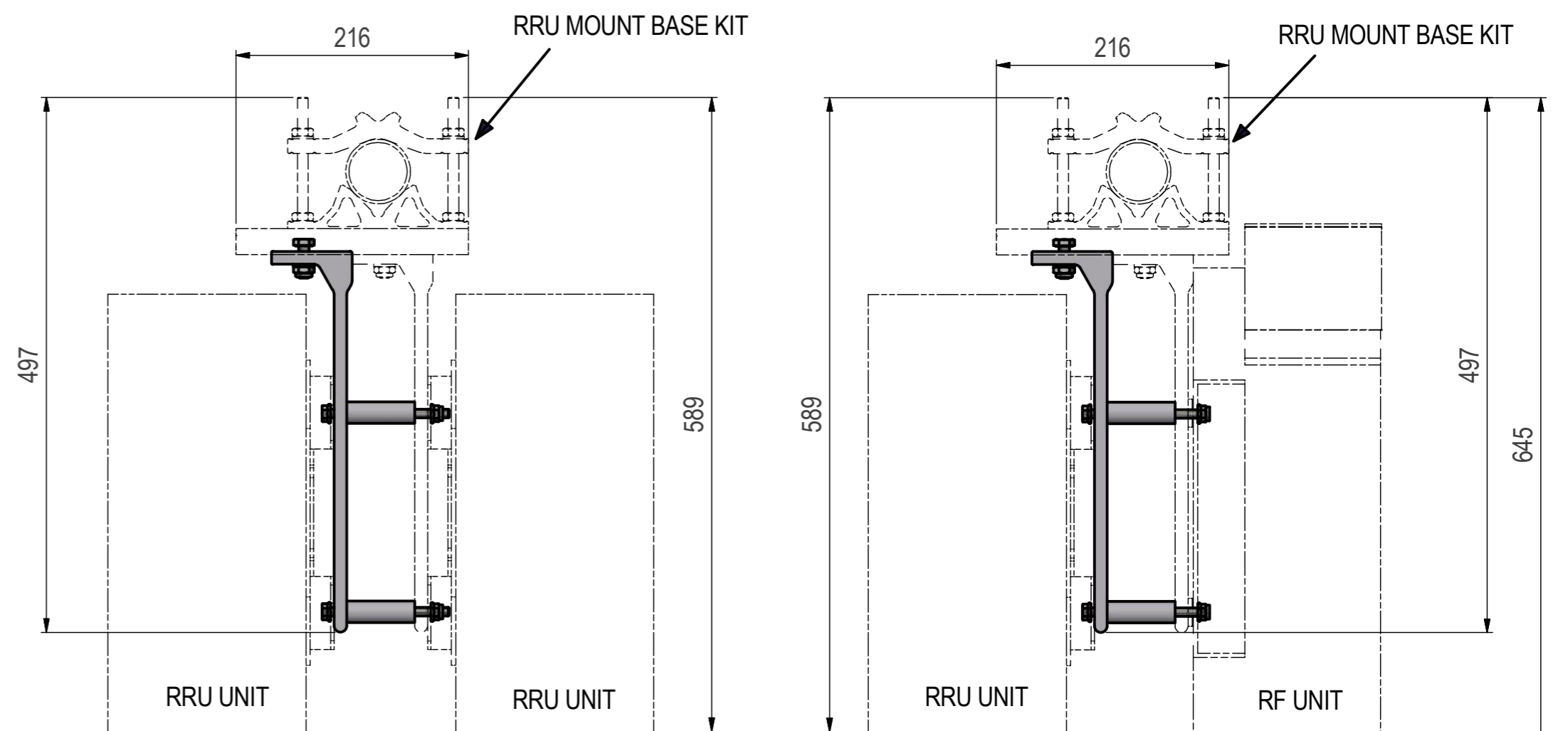
Revision History				
Rev	Description	Date	Drawn	Checked
A	POS 1 MODIFIED	2014-01-07	J.M	J-O.H
B	POS 1 AND RRU MOUNT BASE KIT UPDATED	2014-06-17	J.M	J-O.H
C	REDRAWN	2015-02-02	J.M	M.Ly



TWO RRU UNITS



RRU AND RF UNIT



TWO RRU UNITS

RRU AND RF UNIT

THIS MOUNT IS USED FOR INSTALLING EITHER TWO RRU UNITS OR ONE RRU UNIT TOGETHER WITH A RF UNIT.

Item	Qty	Art. No	Part Number	Description/Material	Comments
7	4	6352	LM6MF M8 A4	HEXAGON FLANGE LOCK NUT	
6	4	1405	LM M10 A4	LOCK NUT	
5	4	1308	BRB M10 A4	WASHER	
4	4	6355	M6SF M8x110 A4	HEXAGON FLANGE BOLT	
3	4	2243	M6S M10x30H A4	HEX HEAD BOLT	
2	4	6331	CD 990771-01	SPACER	
1	2	6300	CD 990770-01	SUPPORT ARM	

Phone: +46 934 153 10 Fax: +46 934 150 72 E-mail: info@cuedee.se		Date: 2013-08-23 Drawn: J.M Checked: 2013-09-26 Status: Released	Name: J.M Title: RRU MOUNT EXPANSION KIT Project:
© - CUE DEE All Rights Reserved Information in this document is the exclusive property of CUE DEE. Reproduction in part or as a whole without the written permission of CUE DEE is prohibited.		Dwg. No.: CD 990771 Scale: 1 : 5 Weight: 2,6 kg	Art. No.: 6141 Revision: C Sheet 1 of 1