

# TOP SPIRE 1-L

▶ PRODUCT NO: 5070



## THE TOP SPIRE

is designed as an extension kit for towers and masts and is suitable to install 3 panel antennas up to 2,3 meters. Versions for 2,6 meters are available on request.

## FLEXIBILITY

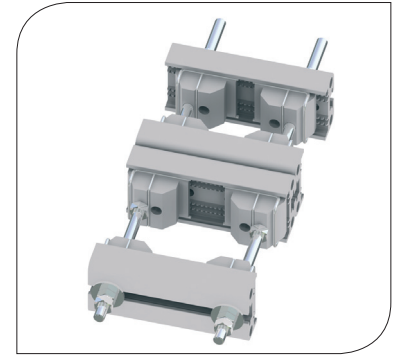
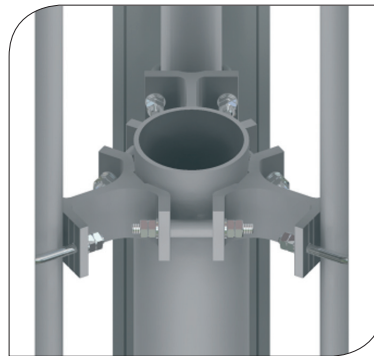
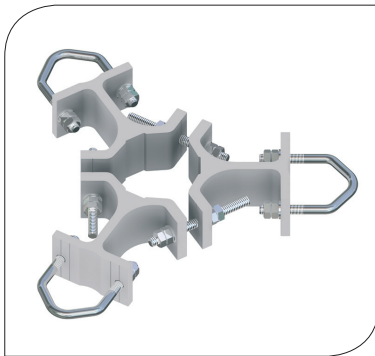
The Top Spire can be installed on top of towers and masts with all common frame leg designs, round, square, angular, etc. thanks to the CUE DEE clamp.

## QUALITY

All components are made of anodized aluminium and stainless steel which gives the Top Spire excellent corrosion resistance.

## EASY ASSEMBLY

The choice of materials makes the product very light which makes the handling and installation very easy.



## ORDER AND TECHNICAL INFORMATION

<b>DRAWING NO:</b>	CD 990533			
<b>FUNCTION DESCRIPTION:</b>	An extension kit for towers and masts with space for 3 mounting tubes. Typical for installations of panel antennas up to 2,3 m.			
<b>MOUNTING SPAN:</b>	<b>TUBES:</b>	<b>SQUARE PROFILES:</b>	<b>90° ANGLE</b>	<b>60° ANGLE:</b>
	○	□	∨	∨
Minimum mm	Ø25	30x30	35x35	35 mm opening
Maximum mm	Ø120	90x90	90x90	60 mm opening
<b>PACKAGE DIMENSIONS:</b>	<b>LENGTH:</b>	<b>WIDTH:</b>	<b>HEIGHT:</b>	<b>WEIGHT:</b>
	3000 mm	500 mm	300 mm	45 kg