

RBS CABINET BASE FRAME

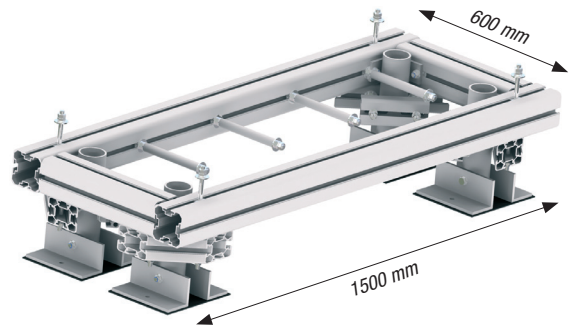
▶ PRODUCT NO: 4698

THE RBS CABINET BASE FRAME

Is a base frame designed for installation of one RBS cabinet. The base frame can either be installed on top of a roof or on the ground. The base frame fits cabinets with measurements up to 1300 mm wide and 700 mm deep. (Typical for Ericsson RBS 6102).

FLEXIBILITY

The base frame has rotatable, adjustable legs and tiltable angled feet to compensate for the inclination of the roof. The design is based on our alubra bars which have grooves to fit the head of a M12 bolt which makes the installation flexible and easy. Other versions and sizes are available upon request, for example 2 or 3 cabinets on the same frame or back to back installation etc. Please contact our sales or design department for further information.



ORDER AND TECHNICAL INFORMATION				
DRAWING NO:	CD 990426-1500			
FUNCTION DESCRIPTION:	Cabinet base frame for installation of one cabinet on roof or ground.			
MECHANICAL DATA:	MAX CABINET SIZE: WxD 1300x700 mm	HEIGHT ABOVE GROUND: Adjustable: 250-350 mm		
PACKAGE DIMENSIONS:	LENGTH: 1500 mm	WIDTH: 600 mm	HEIGHT: 350 mm	WEIGHT: 58 kg

NOTE! Roof attachment bolts not included

RBS WALL FRAME

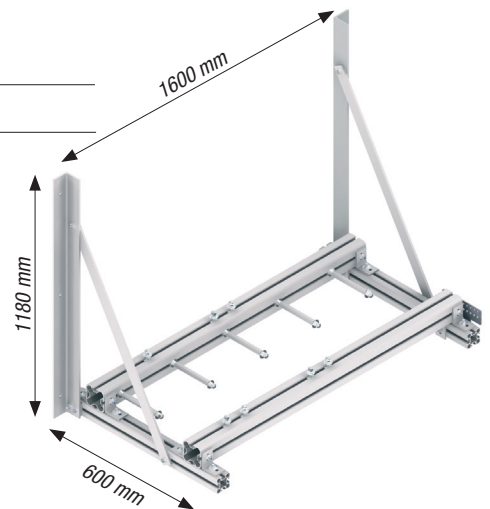
▶ PRODUCT NO: 4720

THE RBS CABINET WALL FRAME

Is a 1500 mm wide wall frame designed for installation of one RBS cabinet. The wall frame fits cabinets with measurements up to 1300 mm wide and 700 mm deep. (Typical for Ericsson RBS 6102).

FLEXIBILITY

The wall frame design is based on our alubra bars which have grooves to fit the head of a M12 bolt which makes the installation flexible and easy. Other versions and sizes are available upon request, for example 2 or 3 cabinets on the same frame or back to back installation etc. Please contact our sales or design department for further information.



ORDER AND TECHNICAL INFORMATION				
DRAWING NO:	CD 990427-1500			
FUNCTION DESCRIPTION:	Cabinet wall frame for installation of one cabinet on wall.			
MECHANICAL DATA:	MAX CABINET SIZE: WxD 1300x700 mm	HEIGHT ABOVE GROUND: Adjustable: 250-350 mm		
PACKAGE DIMENSIONS:	LENGTH: 1500 mm	WIDTH: 600 mm	HEIGHT: 250 mm	WEIGHT: 50 kg