

# TOP SPIRE 2-L

▶ PRODUCT NO: 5215

## THE TOP SPIRE 2-L

is designed as an extension kit for towers and masts and is suitable to install 3 panel antennas up to 2,3 m (7,5 ft). *(Other versions are available up on request).*

The centre aluminium pole Ø120 mm (4,7 in) is 4,8 m (15,7 ft) long and equipped with split supports to carry the included Ø60 mm (2,4 in) mounting tubes.

## FLEXIBILITY

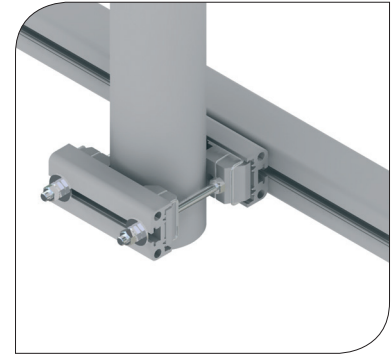
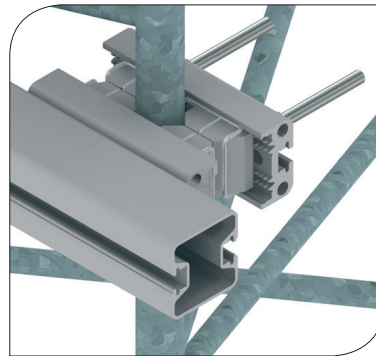
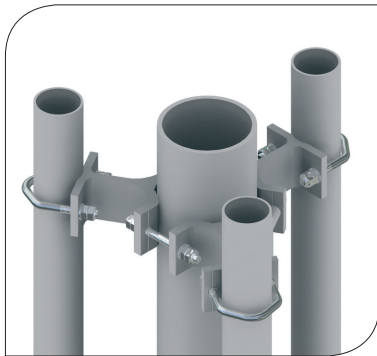
The support has 1,5 m (6 ft) alubra bars at two levels to distribute the load on two frame legs. The support can be installed on top of towers and masts with all common frame leg designs, round, square, angle etc, thanks to the Cue Dee clamp.

## QUALITY

All components are made of anodized aluminium and stainless steel which gives the support excellent corrosion resistance.

## EASY ASSEMBLY

The choice of materials makes the product very light which in turn makes the handling and installation very easy.



## ORDER AND TECHNICAL INFORMATION

**DRAWING NO:** CD 189648-4

**FUNCTION DESCRIPTION:** Top Spire support kit in 2 levels with alubra bars which distribute the load on frame legs. For installation of 3 panel antennas up to 2,3 m (7,5 ft).

MOUNTING SPAN:	TUBES:	SQUARE PROFILES:	90° ANGLE	60° ANGLE:
	○	□	∨	∨
Minimum	Ø25 mm (1,0 in)	30 x 30 mm (1,2 x 1,2 in)	35 x 35 mm (1,4 x 1,4 in)	35 mm (1,4 in) opening
Maximum	Ø120 mm (4,7 in)	90 x 90 mm (3,5 x 3,5 in)	90 x 90 mm (3,5 x 3,5 in)	60 mm (2,4 in) opening

**PACKAGE DIMENSIONS:** LENGTH: 4800 mm (189 in) WIDTH: 300 mm (12 in) HEIGHT: 300 mm (12 in) WEIGHT: 71 kg (157 lb)