

# General Notes

## Standards:

EN 1090-3: Technical requirements for aluminium structures

## Execution Class:

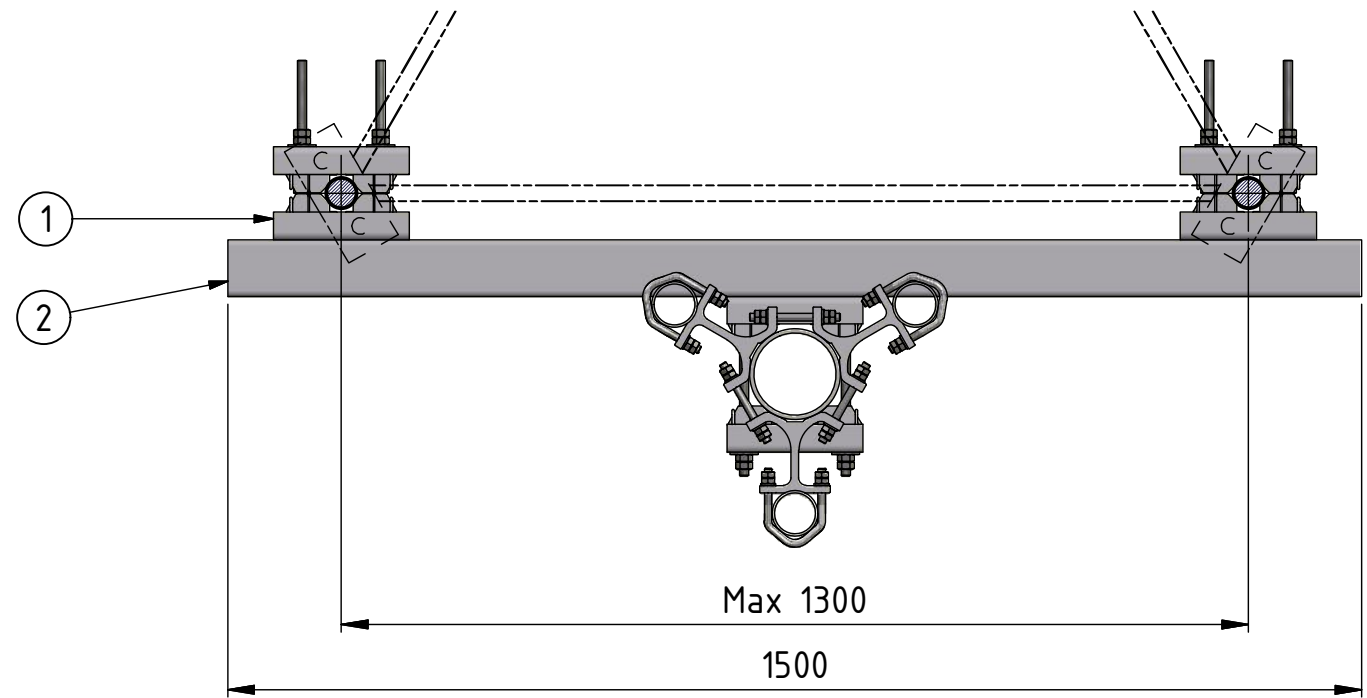
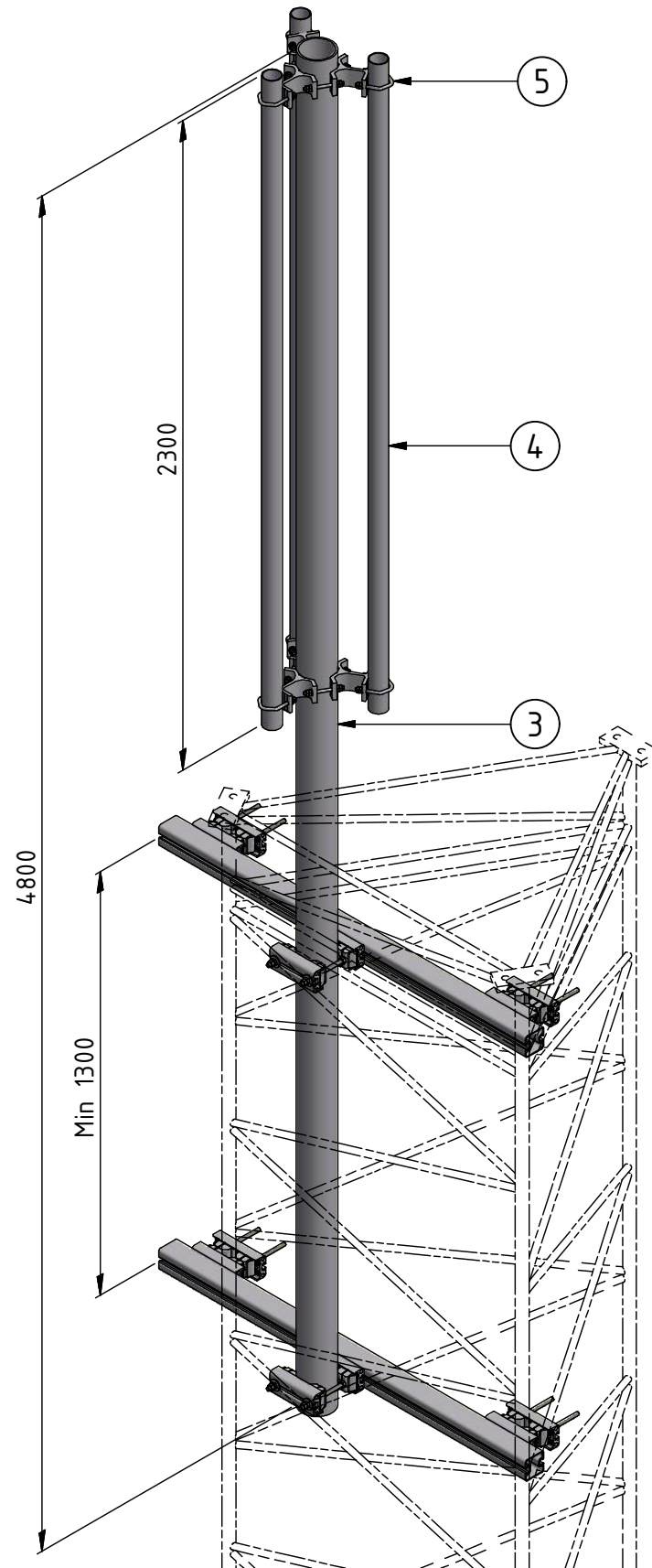
EXC1

## Material:

Profiles: Aluminium, anodized 20µm

Fasteners: Stainless Steel A4

Table	
Thread Size	A4-70
M10	33
M12	57



Clamp Mounting Range				
Min/Max	Tubes	Square Profile	90° Angle	60° Angle
Min	Ø25	30x30	35x35	35mm opening
Max	Ø120	90x90	90x90	130mm opening

Item	Qty	Art. No	Part Number	Description/Material	Comments
5	1 Set	1627	CD 189160	TRIPLE SPLIT SUPPORT	
4	3	5395	CD 706023	TUBE Ø60x3 L=2300	
3	1	1220	CD 712048	TUBE Ø120x6 L=4800	
2	2	2011	CD 840015	ALUBRA 75-2 L=1500	
1	3 Set	1818	CD 8770	CueDee Clamp	

Phone: +46 934 153 10 Fax: +46 934 150 72 E-mail: info@cuedee.se		<b>CUE DEE</b> SE-915 93 Robertsfors SWEDEN www.cuedee.se		Sikeå 58 SE-915 93 Robertsfors SWEDEN www.cuedee.se	
© - CUE DEE All Rights Reserved Information in this document is the exclusive property of CUE DEE. Reproduction in part or as a whole without the written permission of CUE DEE is prohibited		Date: 2012-05-29 Name: P.P. Drawn: 2015-06-05 Checked: M.Ly Status: Released		Title: Top Spire 2-L Project:	
Size: A3		Dwg. No.: CD 189648-4		Art. No.: 5215 Revision: A	
Scale: 1 : 20		Weight: 70,6 kg		Sheet 1 of 1	
File Name: C:\Vault\Designs\Antennfäste\Toppspira\CD 189648-4.idw					

Revision History				
Rev	Description	Date	Drawn	Checked
A	Revised Drawing	2015-06-05	S.M	M.Ly