

General Notes

Standards:

EN 1090-3: Technical requirements for aluminium structures

Execution Class:

EXC1

Material:

Profiles: Aluminium, anodized 20µm

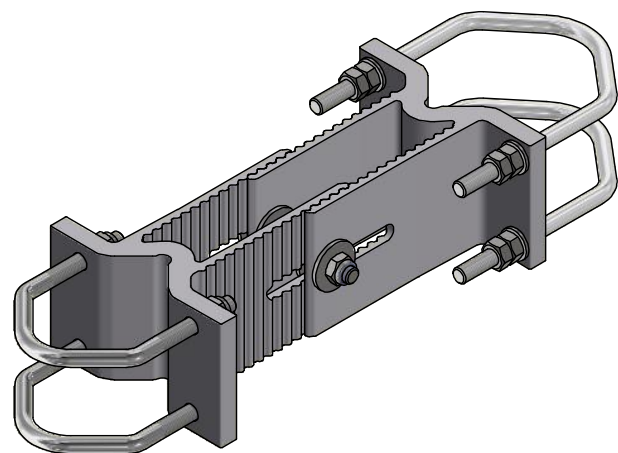
Fasteners:

Bolts: Stainless Steel Grade 80 according to EN ISO 3506-1

U-Bolts: Stainless Steel Grade 70 according to EN ISO 3506-1

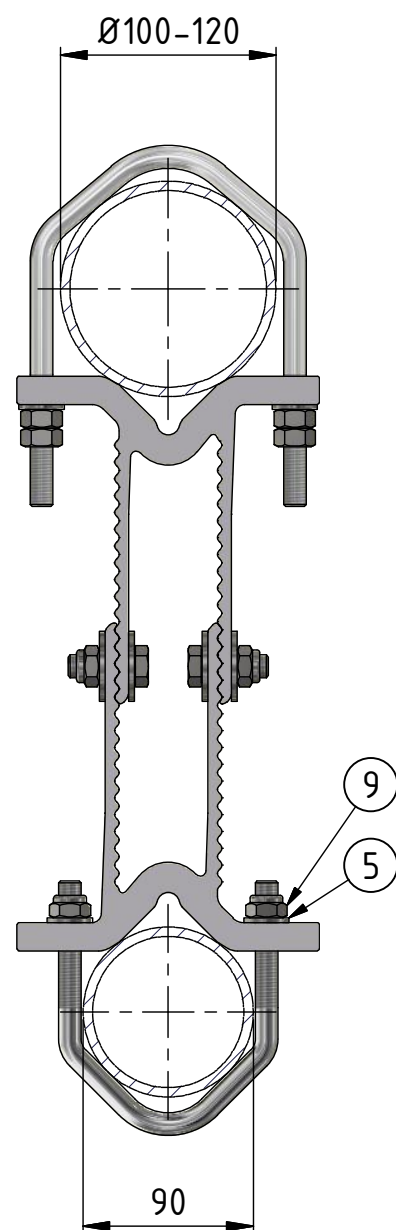
Nuts: Stainless Steel Grade 80 according to EN ISO 3506-2

| Torque Table [Nm] | | |
|-------------------|-------|-------|
| Thread Size | A4-70 | A4-80 |
| M12 | 57 | 76 |



Lock Nuts Detail

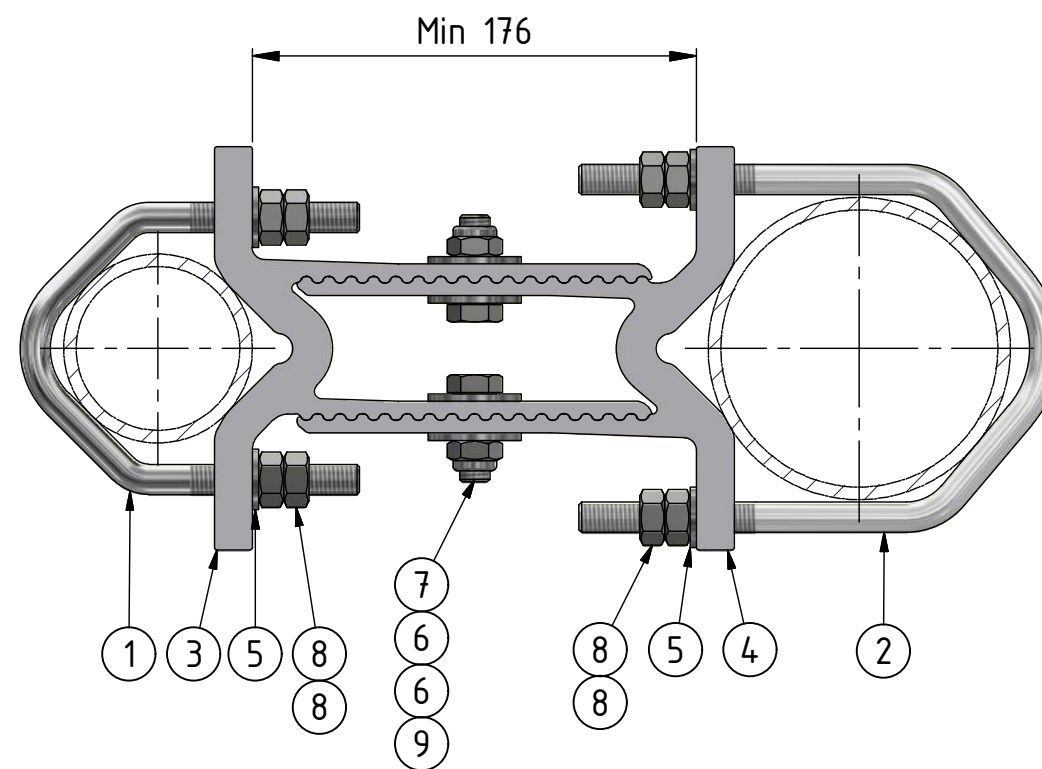
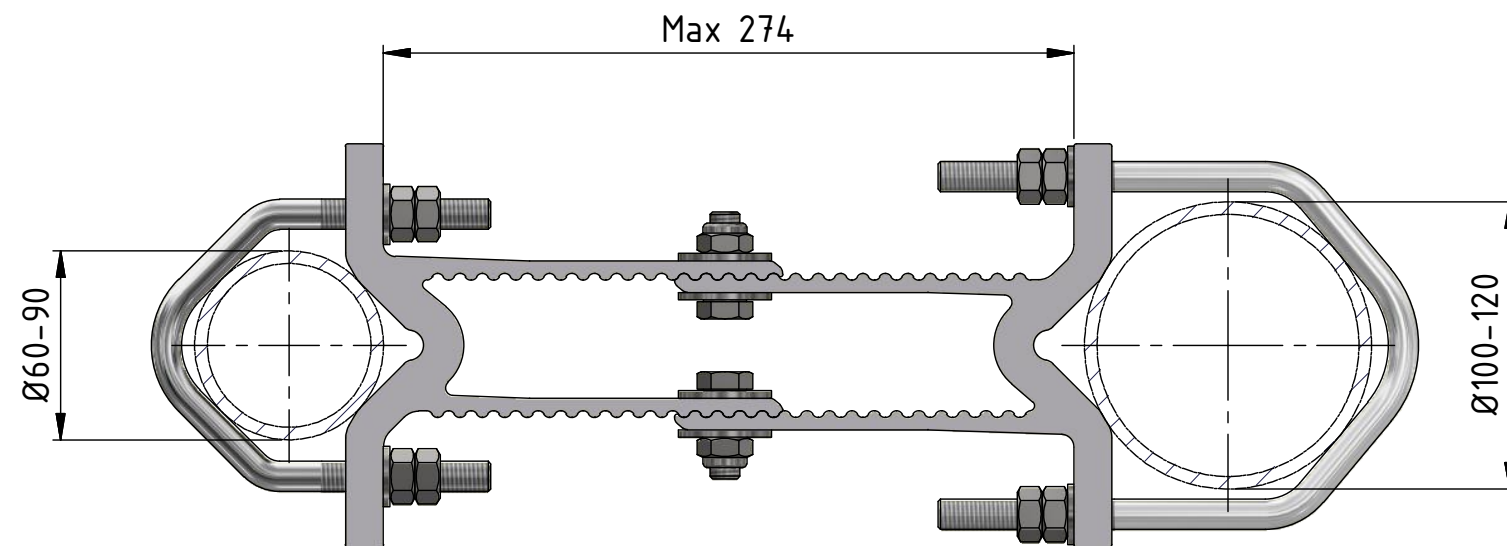
(1 : 4)



Note!

The lock nuts has to be used with antenna mounting tube Ø90 instead of the double nuts.

| Revision History | | | | |
|------------------|-----------------|------------|-------|---------|
| Rev | Description | Date | Drawn | Checked |
| A | Revised drawing | 2016-02-19 | S.M | J.V |



| Item | Qty | Art. No | Part Number | Description/Material | Comments |
|------|-----|---------|------------------------|-----------------------------|----------|
| 9 | 6 | 1406 | DIN 985-M12 A4-80 | Nylon Insert Lock Nut | |
| 8 | 16 | 1396 | DIN 934-M12x1,75 A4-80 | Hex Nut | |
| 7 | 2 | 1334 | DIN 933-M12x35 A4-80 | Hex-Head Bolt | |
| 6 | 4 | 1318 | DIN 9021-13 A4 | Large Diameter Washer | |
| 5 | 8 | 1309 | DIN 125-A 13 A4 | Washer | |
| 4 | 1 | 5233 | CD 990548-03 | Parallel bracket, C-C 134mm | |
| 3 | 1 | 5230 | CD 990548-02 | Parallel bracket, C-C 104mm | |
| 2 | 2 | 1467 | CD 184121 | U-BOLT M12 A4-70 Ø90-120 | |
| 1 | 2 | 1465 | CD 184104 | U-BOLT M12 A4-70 | |

| | | | | | |
|--|--|-----------------------------------|--|--|---|
| Phone: +46 934 153 10 Fax: +46 934 150 72 E-mail: info@cuedee.se | CUE DEE SE-915 93 Robertsfors SWEDEN www.cuedee.se | Siska 58 Robertsfors SWEDEN | Date: 2013-05-21 Name: S.M | Title: Parallel Offset Support Project: Ø60-90/Ø100-120mm | |
| © - CUE DEE All Rights Reserved Information in this document is the exclusive property of CUE DEE. Reproduction in part or as a whole without the written permission of CUE DEE is prohibited | | | Checked: 2013-05-21 J.O | Status: Released | Dwg. No. CD 990652 |
| | | | Size: A3 | Scale: 1 : 3 | Weight: 4,4 kg |
| | | | File Name: D:\Vault\Designs\Antennfäste\Parallellfäste\CD 990652.idw | | Art. No. 5769 Revision A Sheet 1 of 1 |