

General Notes

Fasteners:

Stainless Steel:

Bolts: Stainless Steel Grade 80 (EN ISO 3506-1)

Nuts: Stainless Steel Grade 80 (EN ISO 3506-2)

Galvanized:

EN 15048-1: Non-preloaded structural bolting assembly

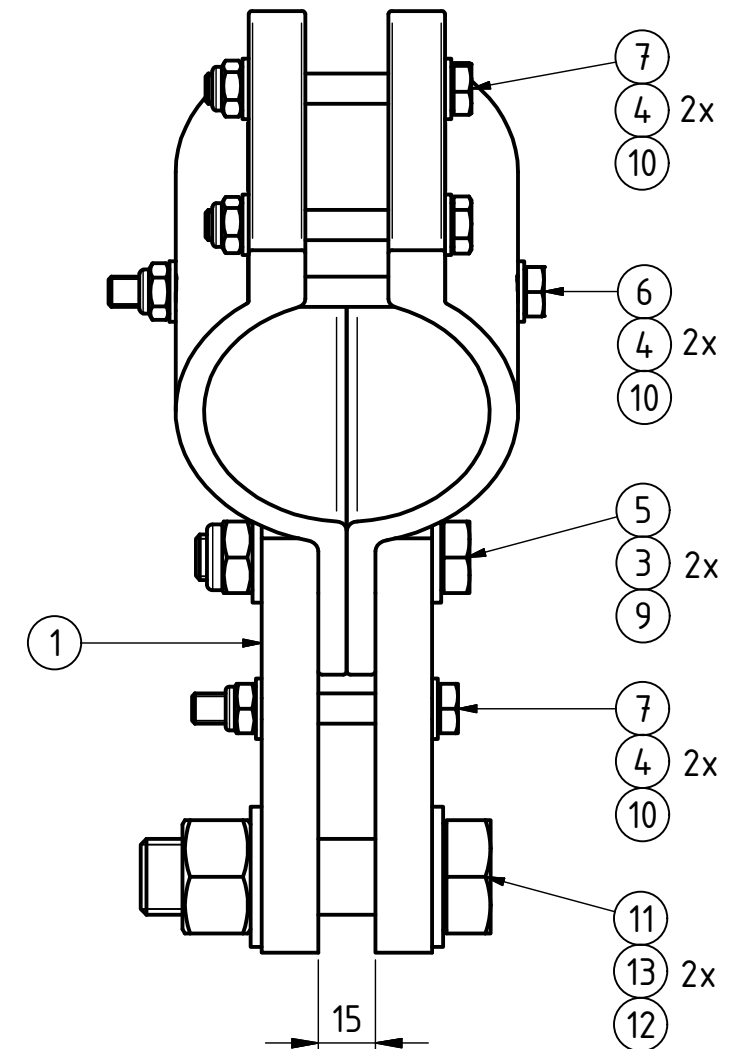
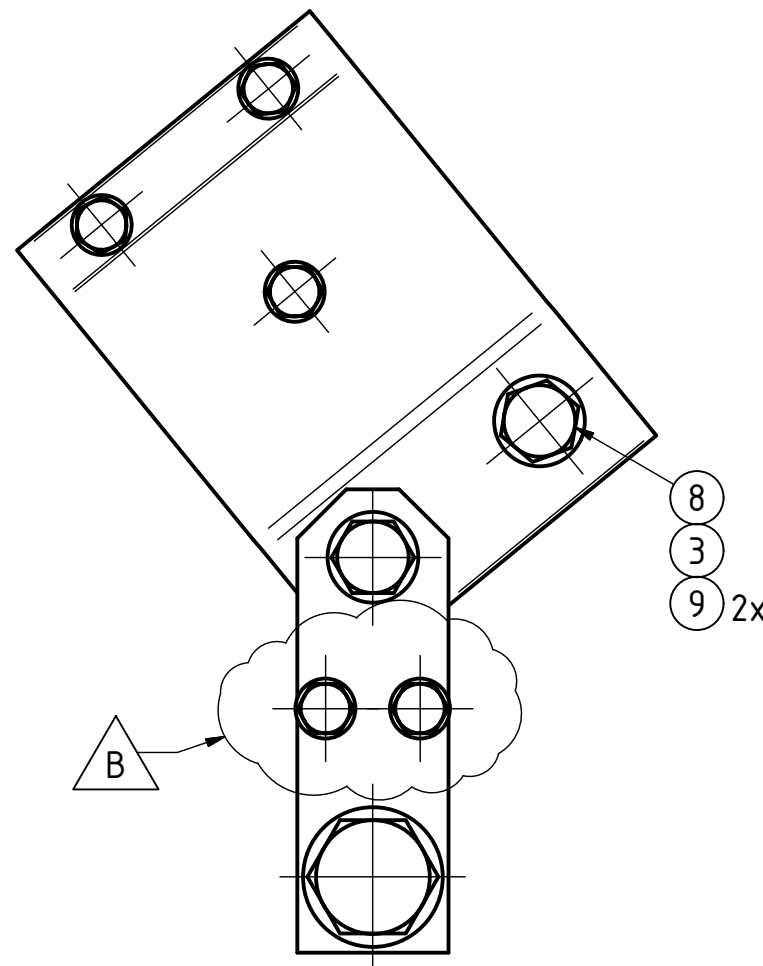
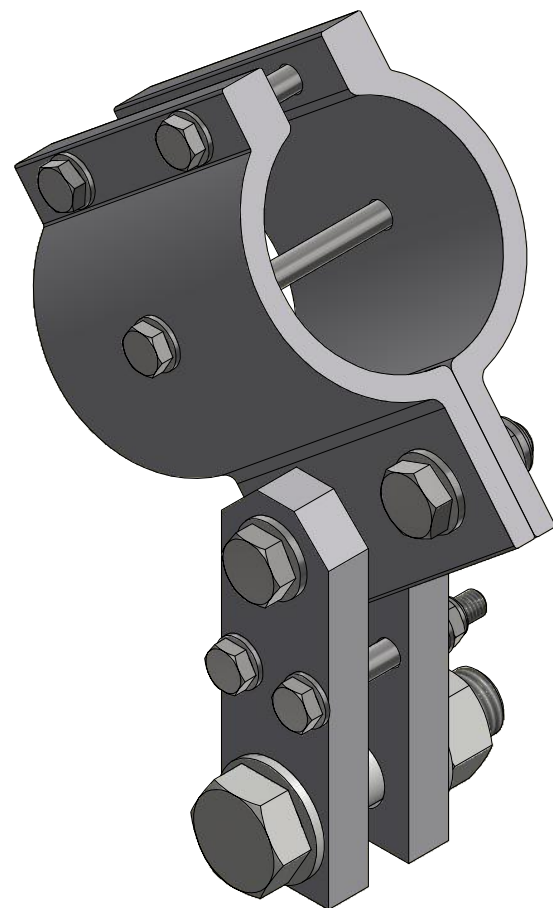
Bolts: ISO 4017 8.8 (EN ISO 898-1)

Nuts: ISO 4032 8 (EN ISO 898-2)

Washers: ISO 7089 HV200

Hot Dip Galvanisation: ISO 10684

Torque Table [Nm]				
Thread Size	8.8 tZn Dry	8.8 tZn Oiled	8.8 tZn Waxed	A4-80
M8	N/A	N/A	N/A	22
M12	N/A	N/A	N/A	76
M20	450	412	243	N/A



Revision History			
Rev	Description	Date	Checked
B	M6x65 was M6x60	2014-02-14	T.A

Item	Qty	Art. No	Part Number	Description/Material	Comments
13	2	1312	ISO 7089-20-200 HV-tZn	Plain Washers	
12	1	1399	ISO 4032-M20-8-tZn	Hexagon Nuts	
11	1	1358	ISO 4014-M20x80-8.8-tZn	Hexagon Head Bolt	
10	5	1409	DIN 985-M8 A4-80	Nylon Insert Lock Nut	
9	2	1406	DIN 985-M12 A4-80	Nylon Insert Lock Nut	
8	1	1334	DIN 933-M12x35 A4-80	Hex-Head Bolt	
7	4	1374	DIN 931-M8x65 A4-80	Hex-Head Bolt	
6	1	1368	DIN 931-M8x110 A4-80	Hex-Head Bolt	
5	1	1339	DIN 931-M12x65 A4-80	Hex-Head Bolt	
4	10	1317	DIN 125-A 8,4 A4	Washer	
3	4	1309	DIN 125-A 13 A4	Washer	
2	2	1154	CD 823907-01	Clamp For Ø75 Tube	
1	2	1151	CD 82390301	Plate 40x15	

Phone: +46 934 153 10
 Fax: +46 934 150 72
 E-mail: info@cuedee.se

CUE DEE SE-915 93 Robertsfors, SWEDEN www.cuedee.se

© - CUE DEE All Rights Reserved
 Information in this document is the exclusive property of CUE DEE. Reproduction in part or as a whole without the written permission of CUE DEE is prohibited

Drawn	2006-10-12	M.T	Date	Name	Title
Checked	2006-10-12	J.O.H	Date	Name	Project
Status	Released		Dwg. No.	Art. No.	Revision
Size	A3		CD 823903	1682	B
Scale	1 : 2	Weight	1,9 kg	Sheet 1 of 1	

File Name: C:\Vault\Designs\Antennfäste\Ballast Box\CD 823903.idw