

General Notes

Material:

Ballast Boxes: Galvanized steel
 Tubes & Brackets: Anodized aluminium

Fasteners:

Stainless Steel:

Bolts: Stainless Steel Grade 80 (EN ISO 3506-1)
 Nuts: Stainless Steel Grade 80 (EN ISO 3506-2)

Galvanized:

EN 15048-1: Non-preloaded structural bolting assembly
 Bolts: ISO 4017 8.8 (EN ISO 898-1)
 Nuts: ISO 4032 8 (EN ISO 898-2)
 Washers: ISO 7089 HV200
 Hot Dip Galvanisation: ISO 10684

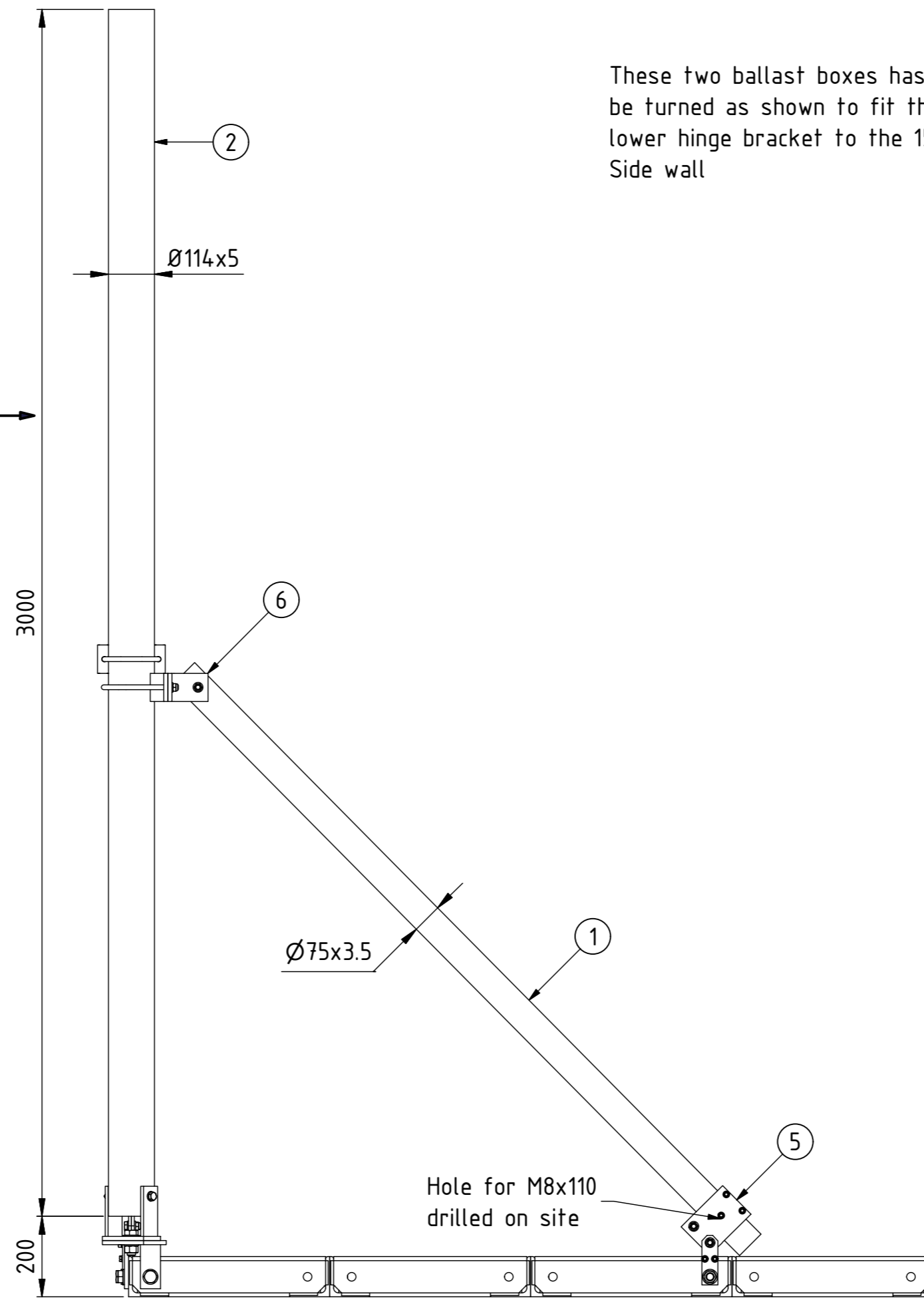
Thread Size	Torque Table [Nm]				
	8.8 tZn Dry	8.8 tZn Oiled	8.8 tZn Waxed	A4-70	A4-80
M8	N/A	N/A	N/A	N/A	22
M12	N/A	N/A	N/A	57	76
M20	450	412	243	N/A	N/A

Optional Accessories:

CD 189160 Triple Antenna Mount
 CD 7060 Ø60x3 Mounting tube
 EPDM Rubber Sheet 2.05x2.05m

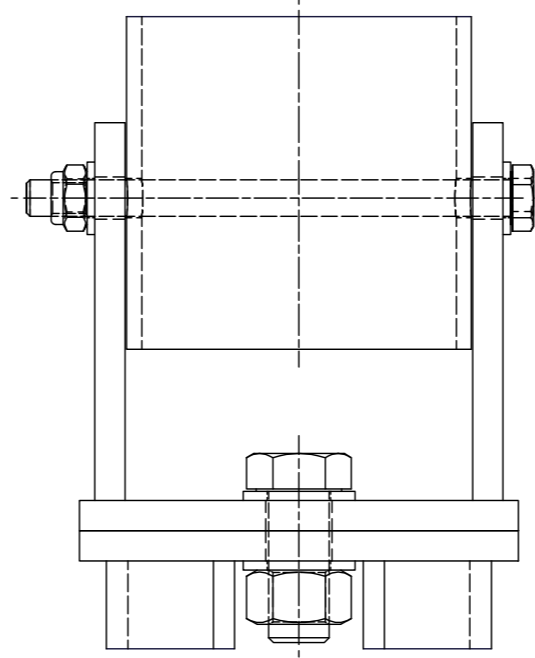


Antenna load applied 1 m from top of tube



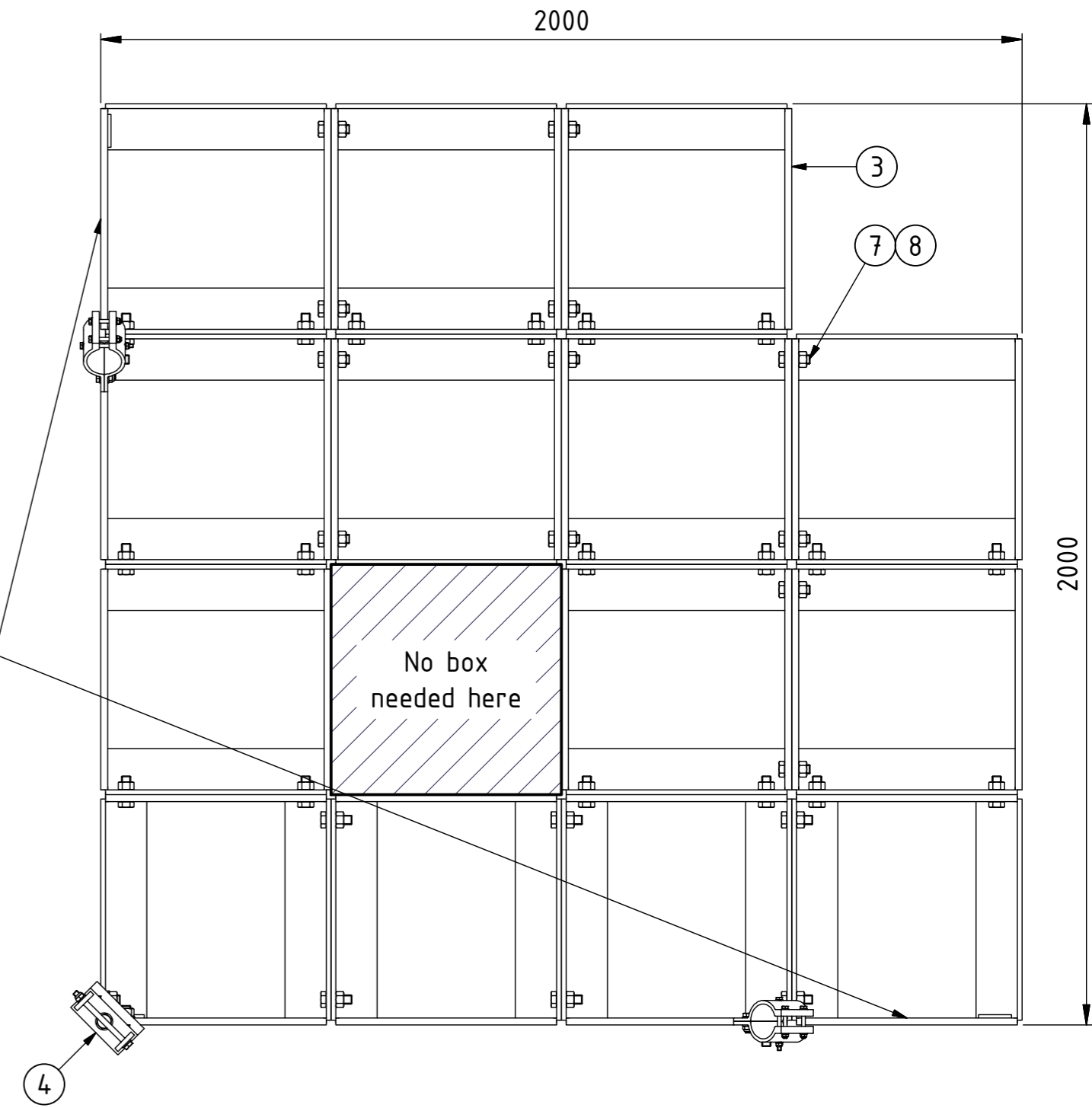
Corner Bracket Detail

(1 : 2.5)



Ballast Box Detail

(1:12.5)



These two ballast boxes has to be turned as shown to fit the lower hinge bracket to the 15 mm Side wall

Wind Speed	Effective Projected Area (EPA) 1.5 m ²			Effective Projected Area (EPA) 2.5 m ²		
	108Km/h (30m/s)	144Km/h (40m/s)	180Km/h (50m/s)	108Km/h (30m/s)	144Km/h (40m/s)	180Km/h (50m/s)
Ballast Requirements	65 kg	365 kg	750 kg	325 kg	825 kg	1470 kg

- Ballast: Concrete pavers 400x400 (not included)
- Effective Projected Area (EPA) is the projected area multiplied with a shape factor Cf.

Round surface Cf=1.2
 Flat surface Cf=2.0

Item	Qty	Art. No	Part Number	Description/Material	Comments
8	36	1399	ISO 4032-M20-8-tZn	Hexagon Nuts	
7	36	1357	ISO 4017-M20x55-8.8-tZn	Hexagon Head Screws	
6	2	6220	CD 990683	ANTENNA BRACKET Ø90-114	
5	2	1682	CD 823903	Lower Hinge Bracket	
4	1	1681	CD 823902	Corner Bracket	
3	14	1740	CD 823901	Ballast Box	
2	1	4379	CD 71143001	Antenna Mounting Tube	
1	2	2653	CD 70752001	Tube Ø75x3.5 L=2000	

Phone: +46 934 153 10 Fax: +46 934 150 72 E-mail: info@cuedee.se	CUE DEE SE-915 93 Robertsfors SWEDEN www.cuedee.se	Date: 2001-10-10 Name: P.P. Checked: 2001-10-10 J.O. Status: Released	Title: Ballast Box System 3m Project: MODUL SYSTEM
© - CUE DEE All Rights Reserved Information in this document is the exclusive property of CUE DEE. Reproduction in part or as a whole without the written permission of CUE DEE is prohibited		Scale: A2 Dwg. No. CD 82392414 Weight: 369,5 kg	Art. No. 4403 Revision A Sheet 1 of 1

Revision History				
Rev	Description	Date	Drawn	Checked
A	POS 1 WAS CD 707520 AND POS 7 WAS CD 923904	2015-04-21	S.M	J.O