

# General Notes

## Standards:

EN 1090-3: Technical requirements for aluminium structures

## Execution Class:

EXC1

## Material:

Profiles: Aluminium, anodized 20µm

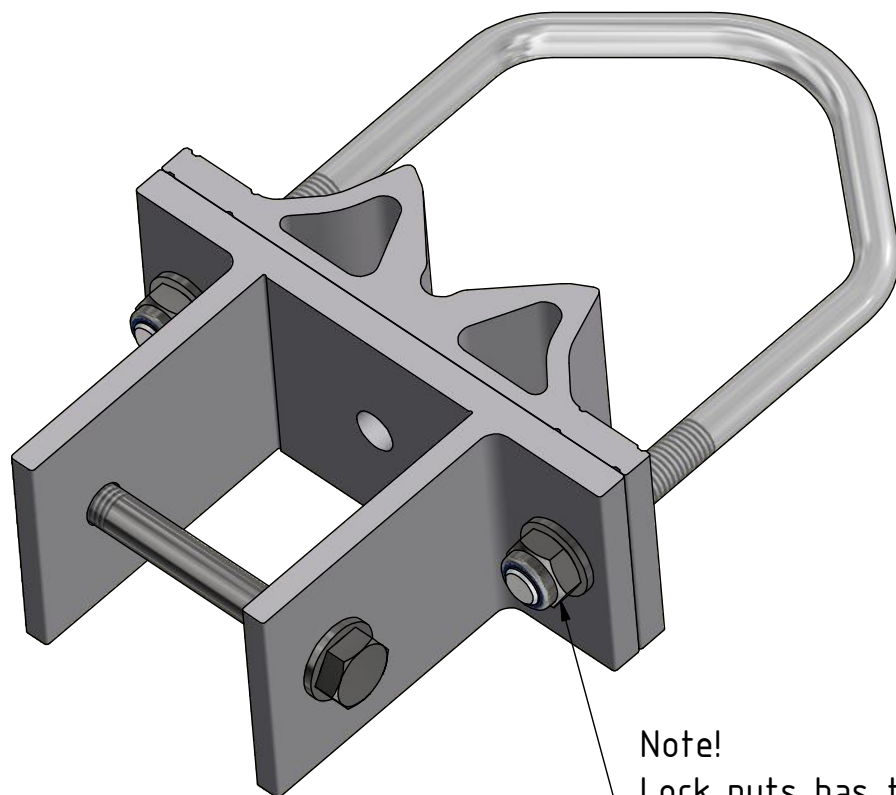
## Fasteners:

Bolts: Stainless Steel Grade 80 according to EN ISO 3506-1

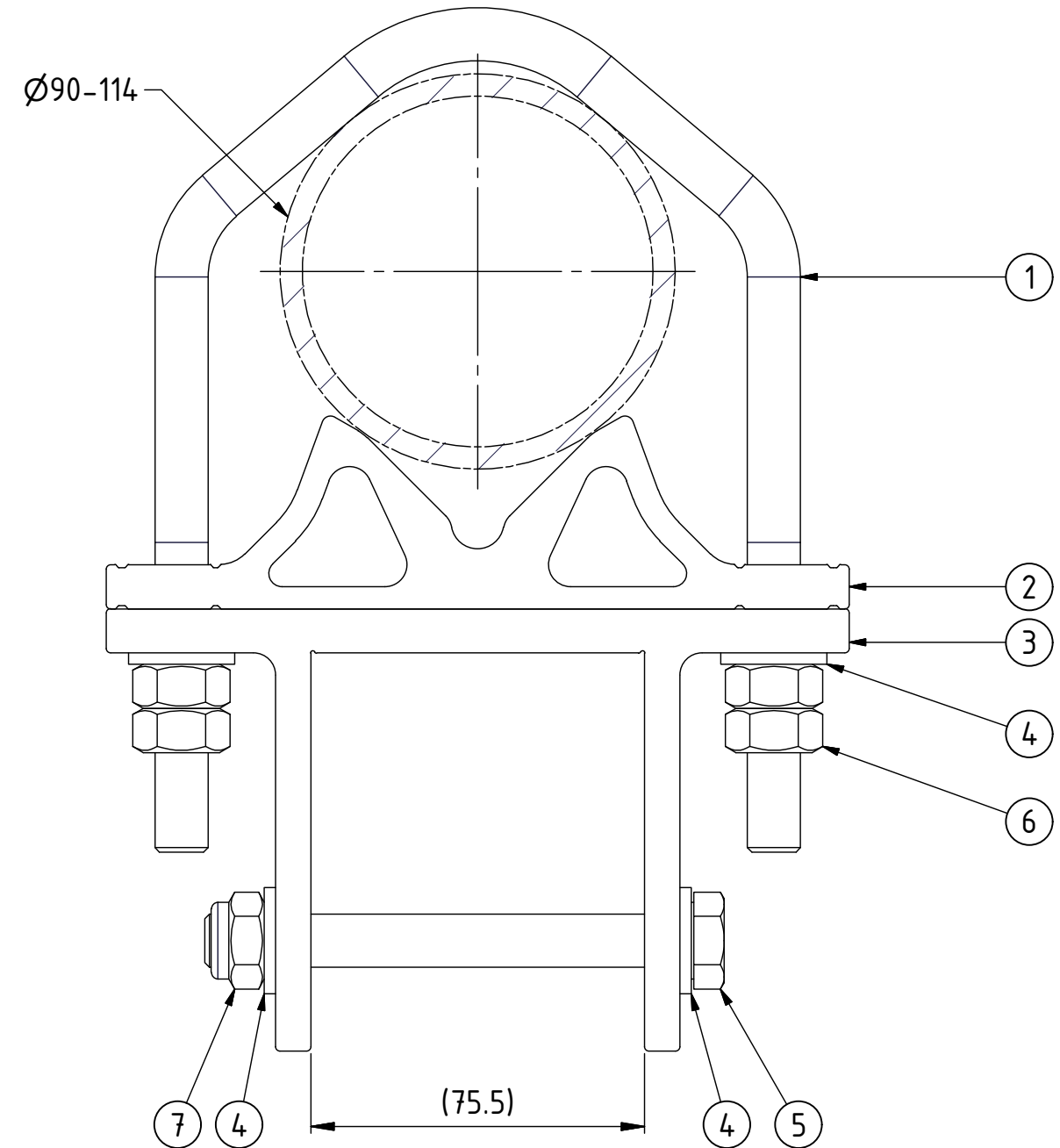
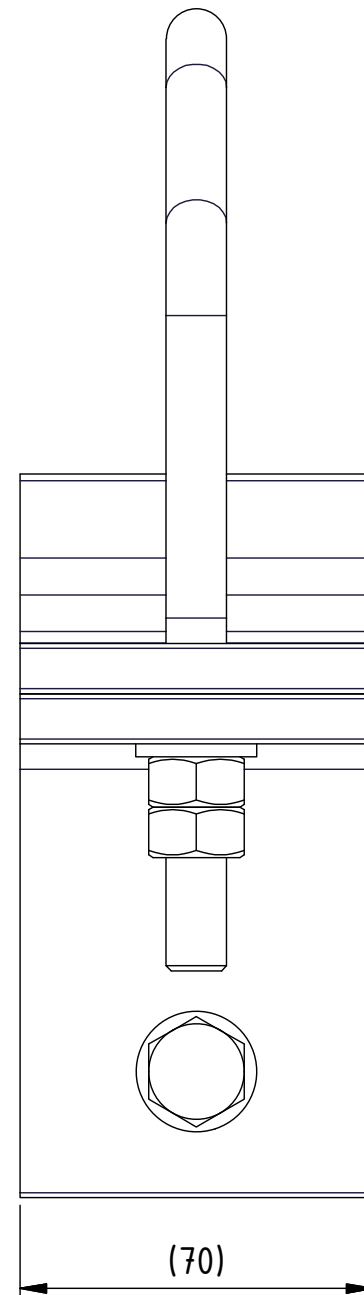
U-Bolts: Stainless Steel Grade 70 according to EN ISO 3506-1

Nuts: Stainless Steel Grade 80 according to EN ISO 3506-2

Torque Table [Nm]		
Thread Size	A4-70	A4-80
M12	57	76



Note!  
Lock nuts has to be used with tube Ø114 instead of the double nuts.



Revision History				
Rev	Description	Date	Drawn	Checked
A	Added Hex Nut	2015-04-02	S.M	P.P

Item	Qty	Art. No	Part Number	Description/Material	Comments
7	3	1406	DIN 985-M12 A4-80	Nylon Insert Lock Nut	
6	4	1396	DIN 934-M12x1,75 A4-80	Hex Nut	
5	1	1325	DIN 931-M12x110 A4-80	Hex-Head Bolt	
4	4	1309	DIN 125-A 13 A4	Washer	
3	1	6221	CD 990683-02	Lower Hinge Bracket	
2	1	6222	CD 990683-01	CLAMP PROFILE	
1	1	1467	CD 184121	U-BOLT M12 A4-70 Ø90-120	

Phone: +46 934 153 10 Fax: +46 934 150 72 E-mail: info@cuedee.se	<b>CUE DEE</b> SE-915 93 Robertsfors SWEDEN www.cuedee.se	Sikeå 58	Date	Name	Title	
© - CUE DEE All Rights Reserved Information in this document is the exclusive property of CUE DEE. Reproduction in part or as a whole without the written permission of CUE DEE is prohibited		SE-915 93	2013-05-15	S.M	ANTENNA BRACKET Ø90-114 BALLAST SYSTEM	
A3		Released	2013-05-17	J.O	Dwg. No.	Art. No. Revision
Scale: 1 : 2		Weight: 1,6 kg	CD 990683		6220	A
File Name: D:\Vault\Designs\Antennfäste\BALLAST SYSTEM\CD 990683.idw		Sheet 1 of 1				