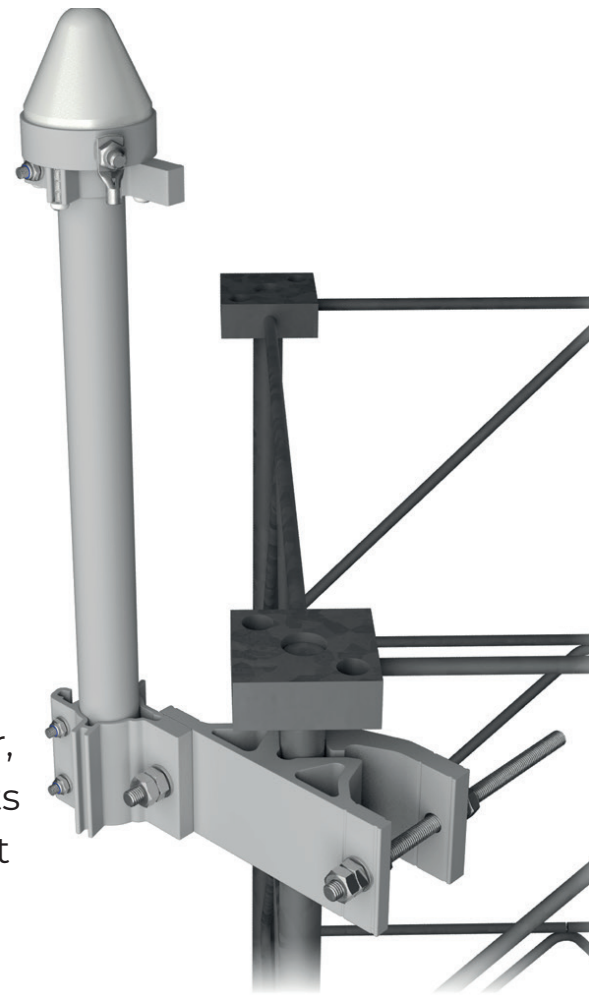


# GPS ANTENNA MOUNTING BRACKET

P/N: 6105

The GPS Antenna Mounting Bracket is designed for installation of one GPS antenna unit on tower, mast, pole or wall. The mounting bracket consists of clamps, tube holder, GPS antenna attachment and a 400 mm long Ø35 x 2 mm tube.



## FLEXIBILITY

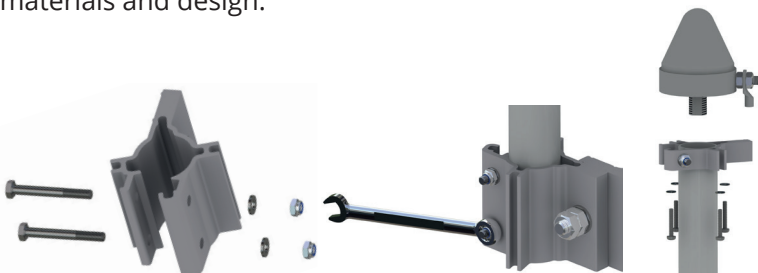
The GPS antenna mounting bracket can handle a wide range of all common tower leg designs, round, square, angle etc. and can also easily be installed on a wall. The unique design enables a direct mounting of the GPS antenna on the GPS antenna attachment, or to use any tube adapter included with the GPS antenna.

## QUALITY

All components are made of anodized aluminium and acid proof stainless steel for excellent corrosion resistance.

## EASY ASSEMBLY

Handling and installation is very easy due to the choice of materials and design.



## FUNCTION DESCRIPTION

GPS antenna mounting bracket for installation of one GPS antenna unit on tower, mast, other vertical structure or wall.

## MECHANICAL DATA

Clamp profiles: Aluminium, Nature anodized 20µm  
GPS Attachment: Aluminium, Nature anodized 20µm  
Tube Holder: Aluminium, Nature anodized 20µm  
Mounting Tube: Aluminium, Nature anodized 20µm  
Ø35 x 2 mm, L= 400 mm (1,4 x 0,079 in, L=15,7 in)  
Fasteners: Acid proof stainless steel  
GPS Type: Huber+Suhner, and others

## CLAMP MOUNTING RANGE

Frame	Min (in)	Max (in)
Tubes	Ø25 mm (Ø1,0 in)	Ø120 mm (Ø4,7 in)
Square profiles	35 x 35 mm (1,4 x 1,4 in)	90 x 90 mm (3,5 x 3,5 in)
90° Angle	35 x 35 mm (1,4 x 1,4 in)	90 x 90 mm (3,5 x 3,5 in)
60° Angle	40 mm opening (1,6 in in opening)	100 mm opening (4,0 in opening)

## PRODUCT DIMENSIONS

Length	Width	Height	Weight
550 mm (21,6 in)	100 mm (3,9 in)	90 mm (3,5 in)	2,0 kg (4,4 lb)